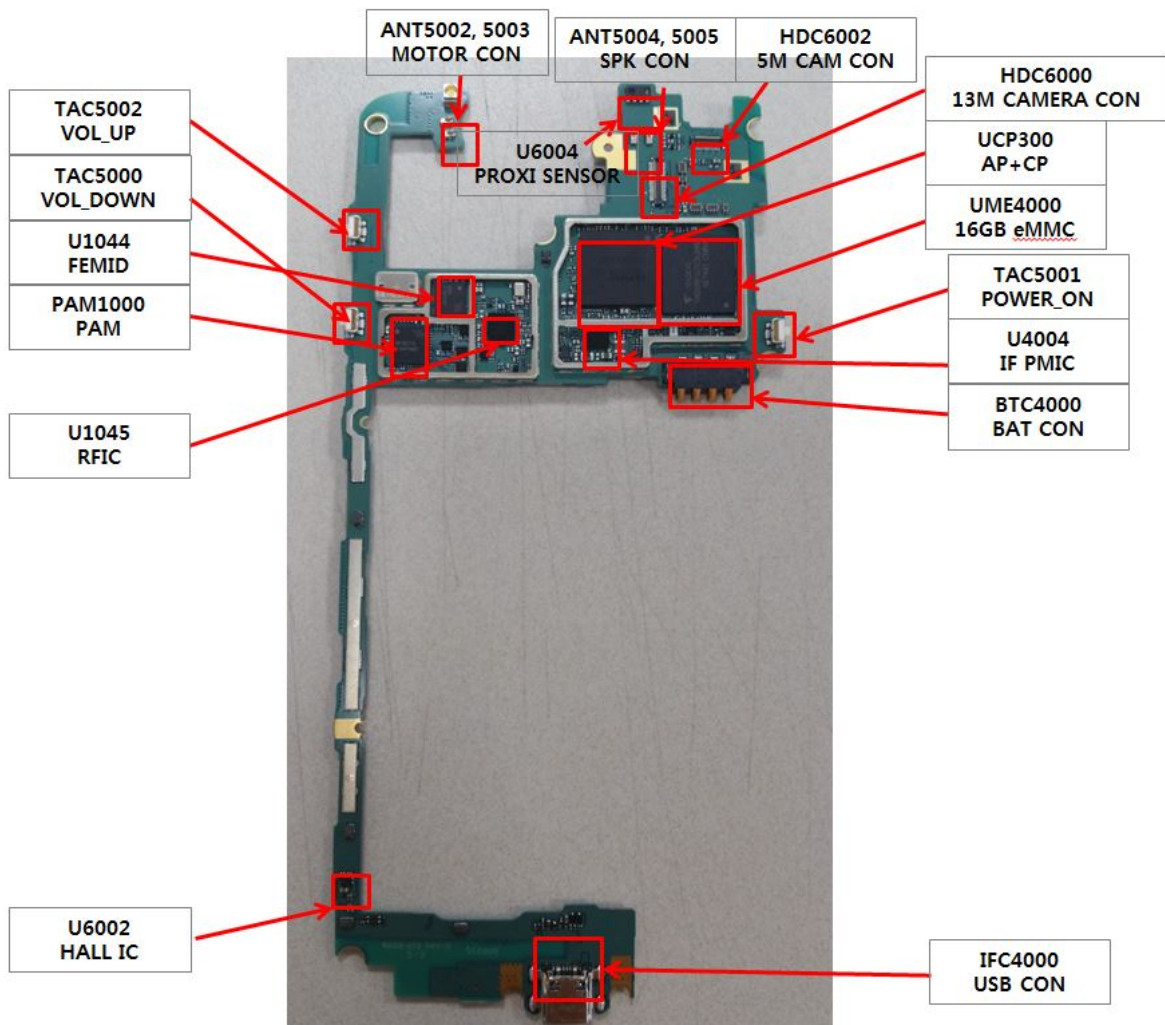
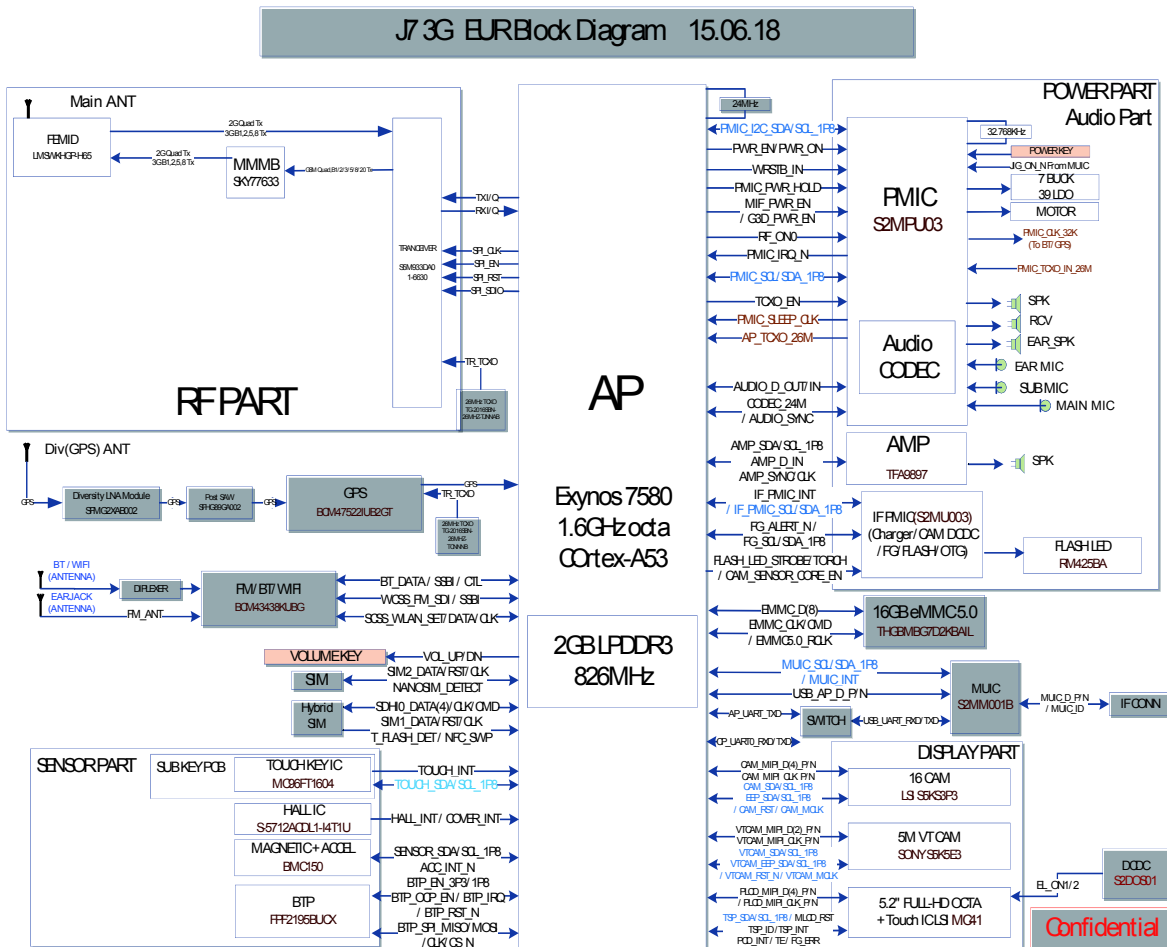


8. Level 3 Repair

8-1. Components Layout

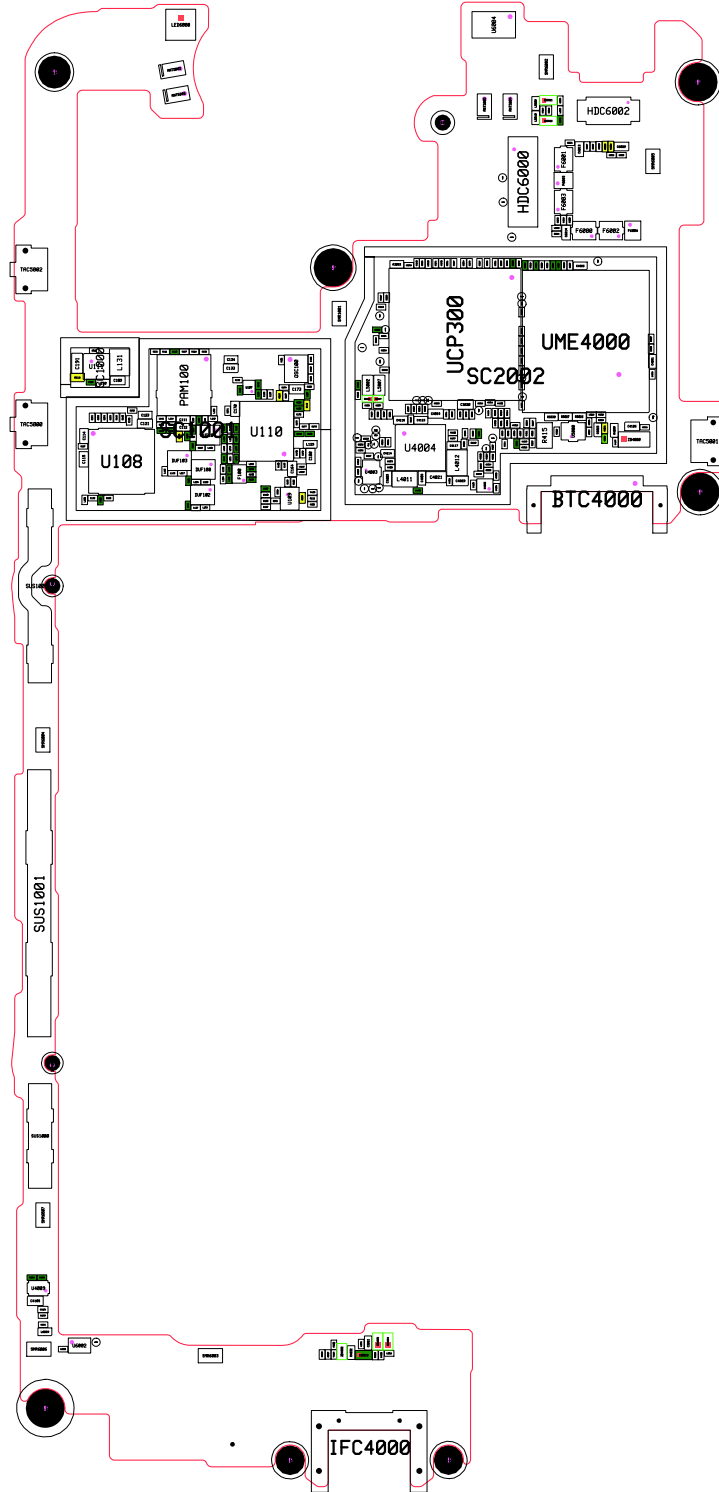


8-2. Block Diagram

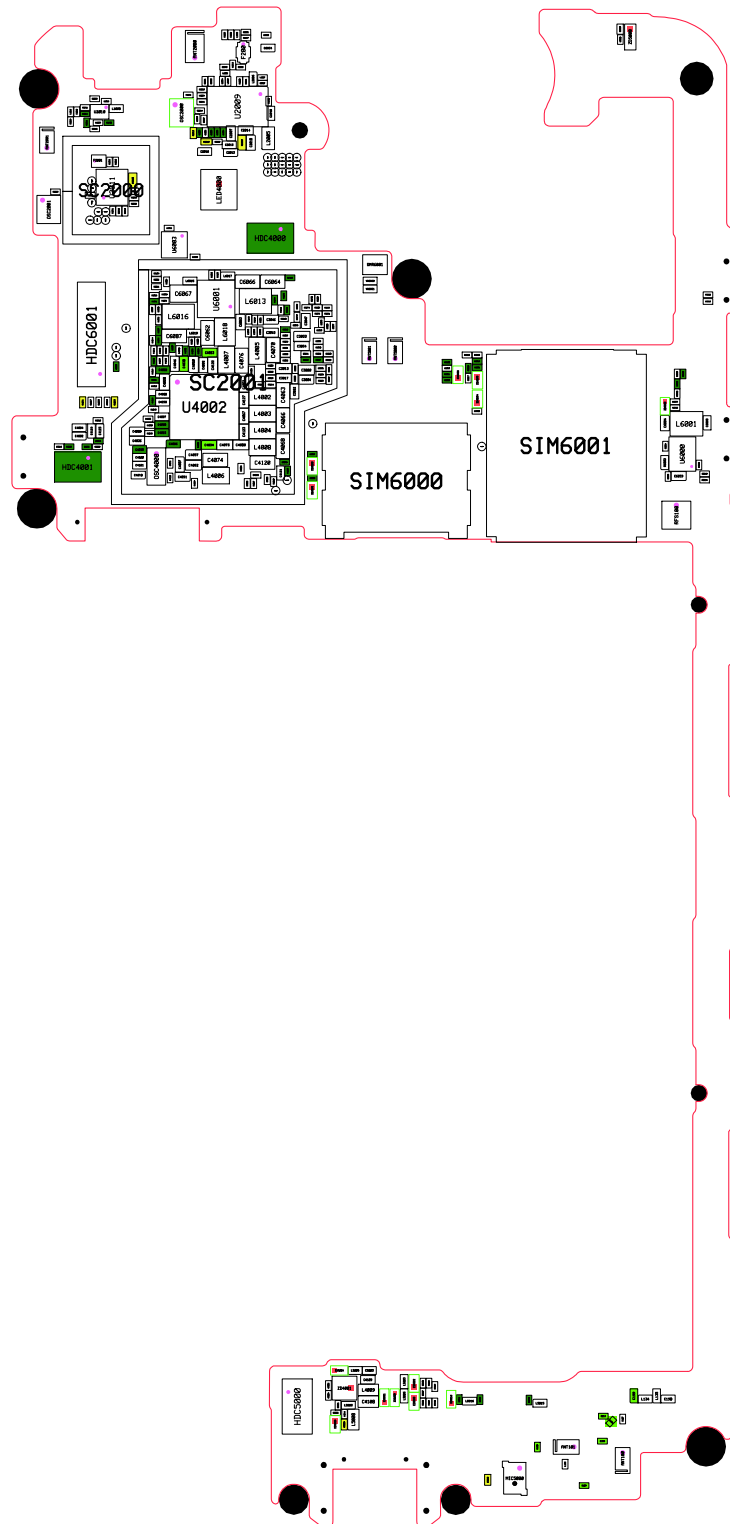


8-3. PCB Diagrams

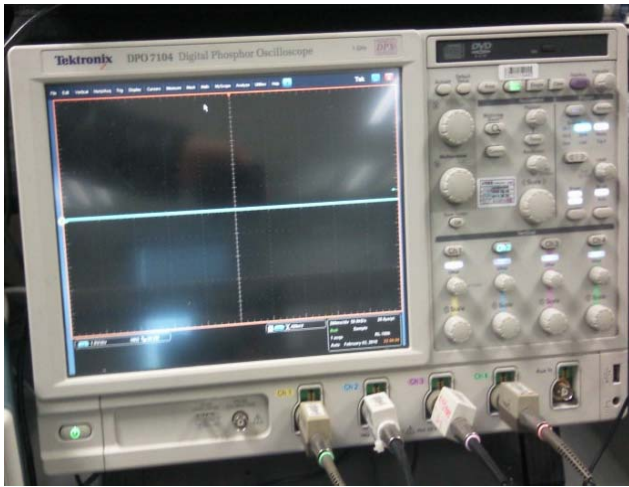
8-3-1. Top



8-3-2. Bottom



8-4. Flow Chart of Troubleshooting Equipments



↑ Oscilloscope



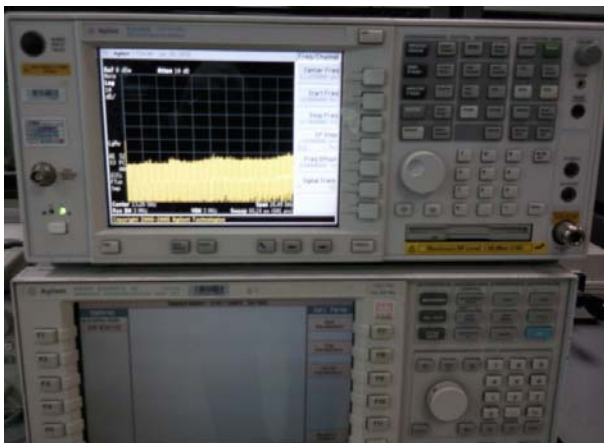
↑ Digital Multimeter



↑ Power Supply



↑ + driver, ESD Safe Tweezer

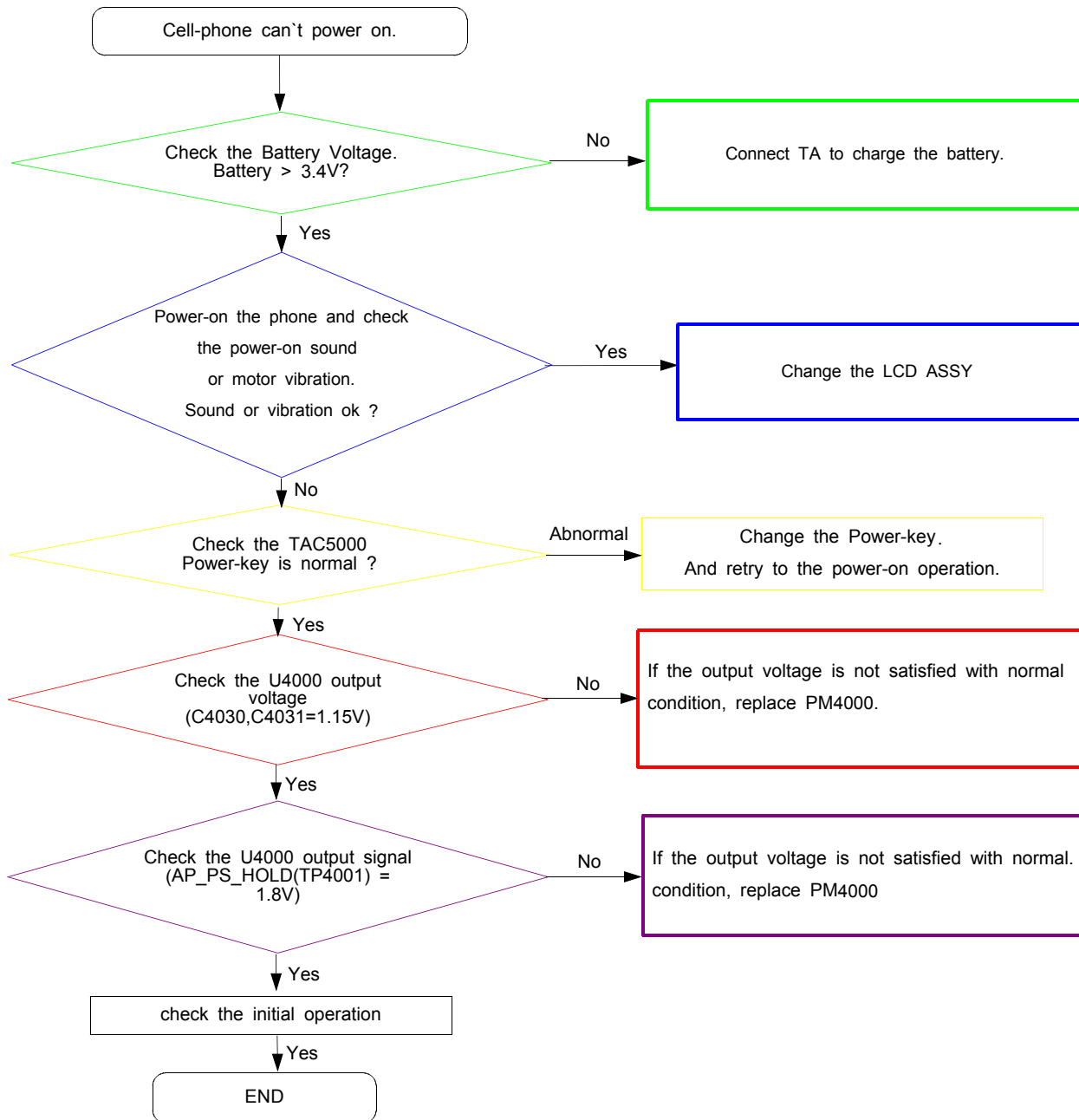


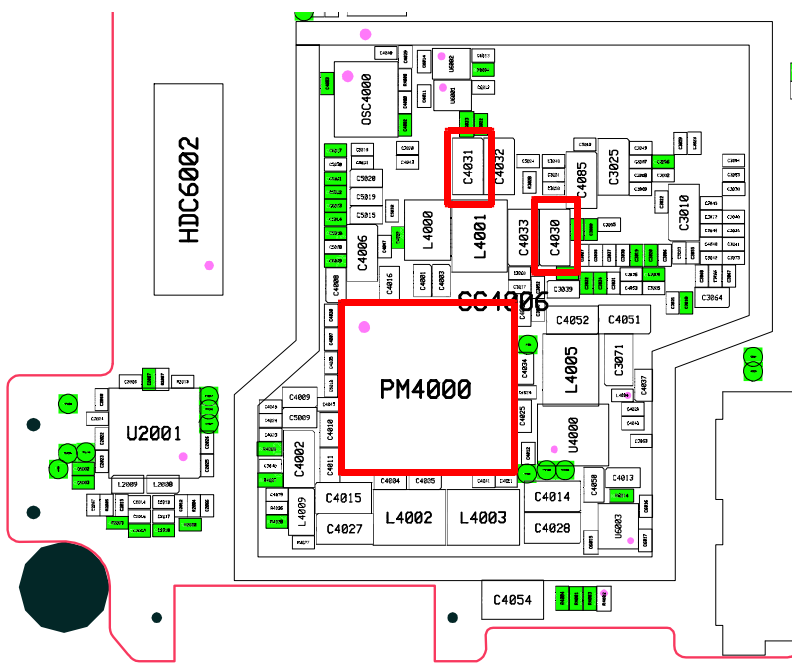
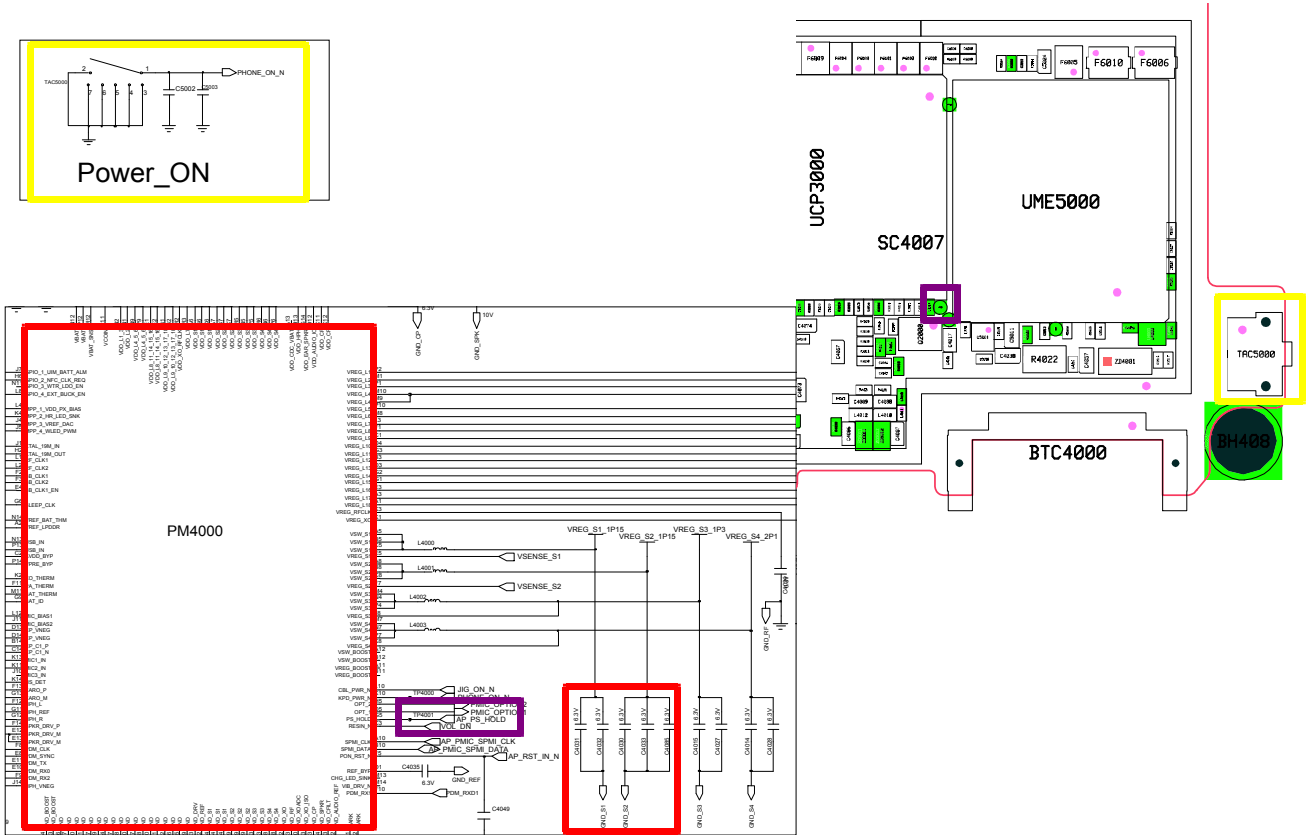
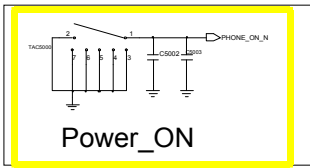
↑ 8960 & Spectrum Analyzer



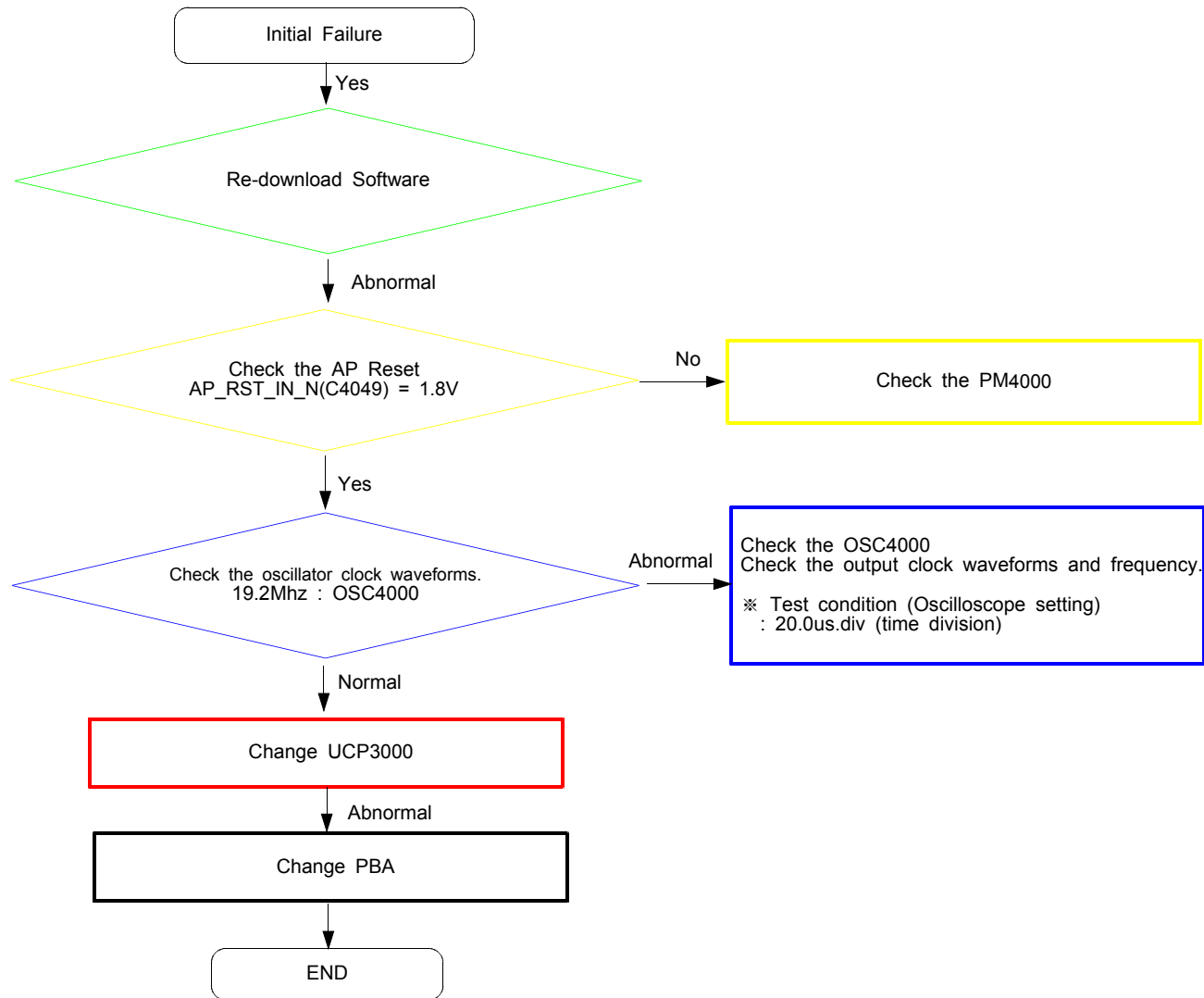
↑ Soldering iron

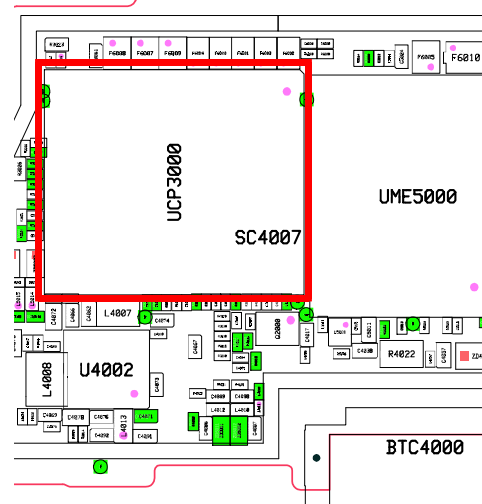
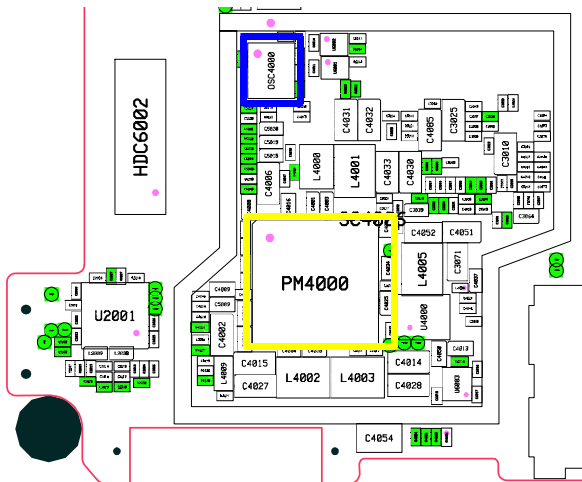
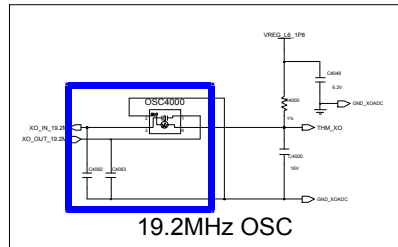
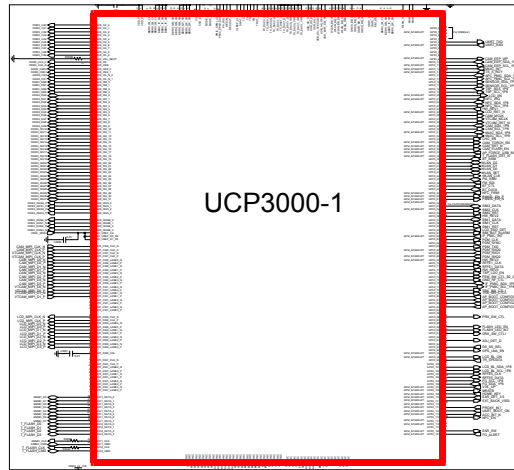
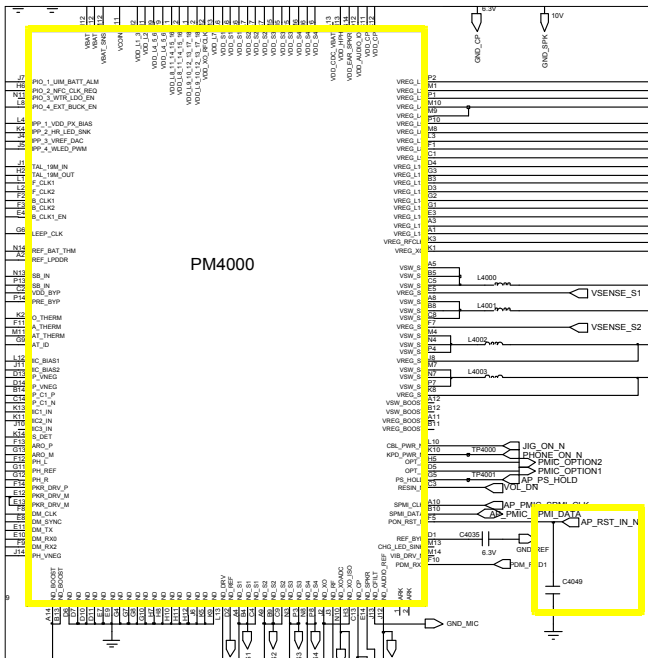
8-4-1. Power On



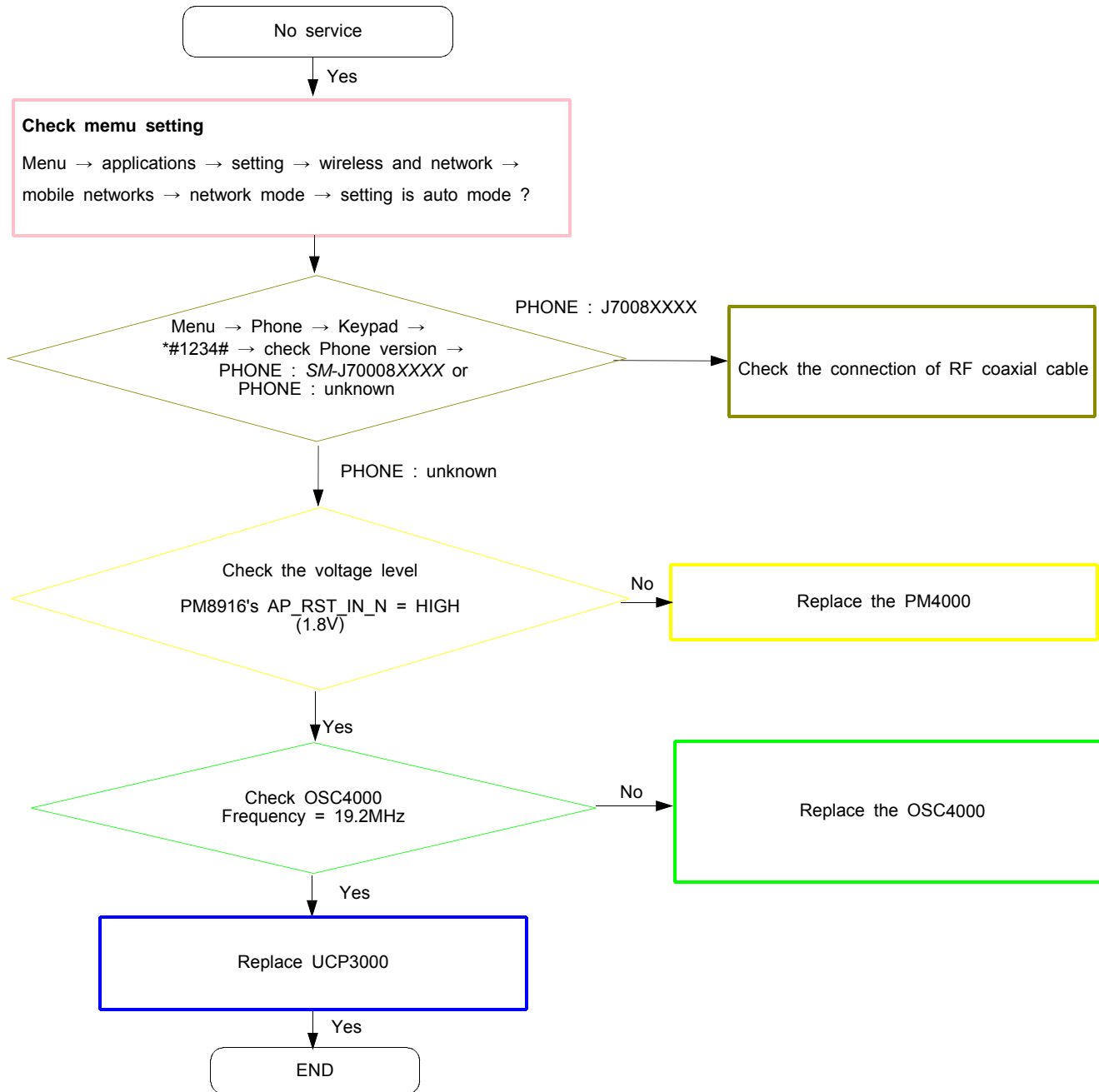


8-4-2. Initial



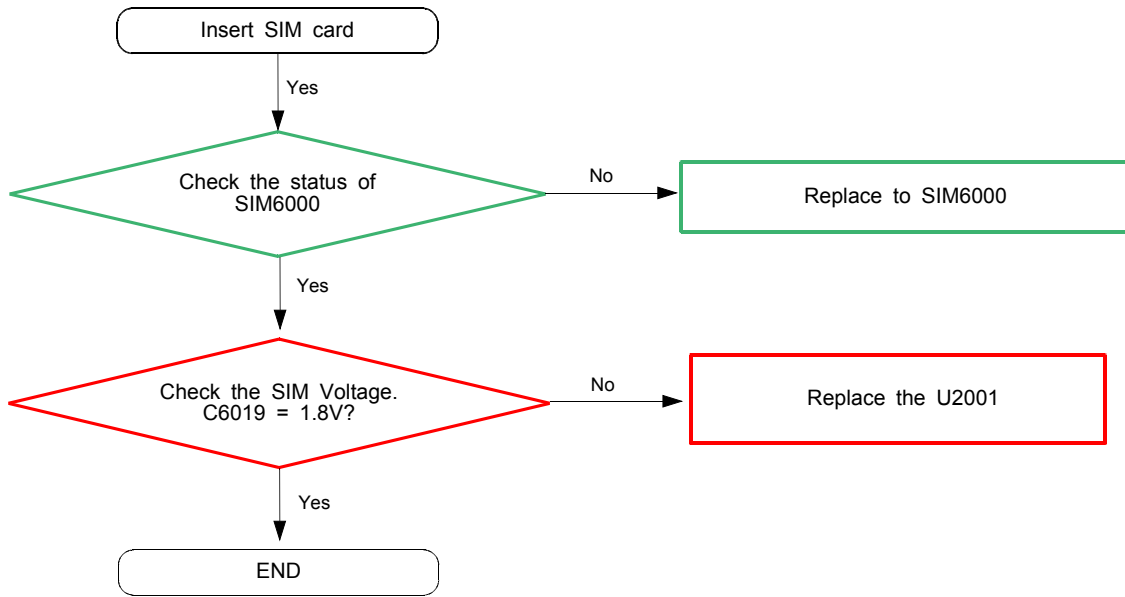


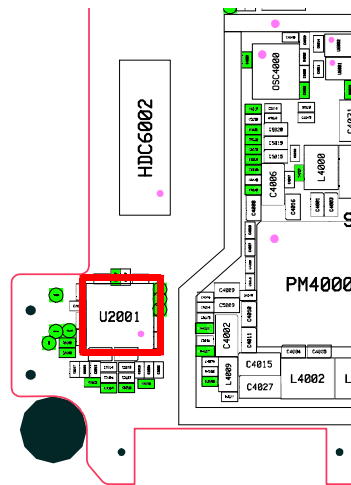
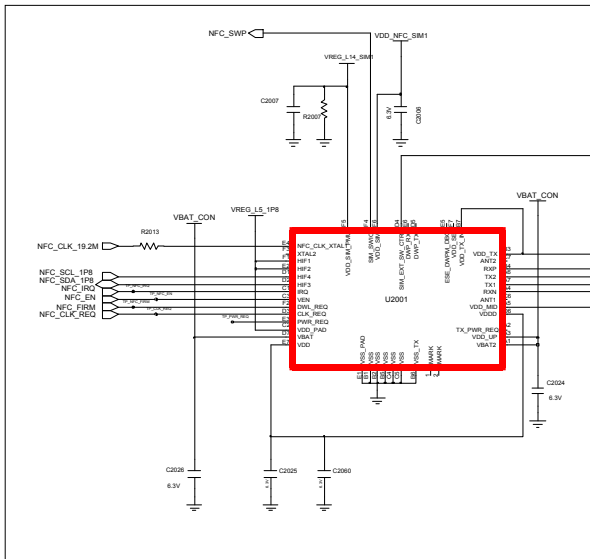
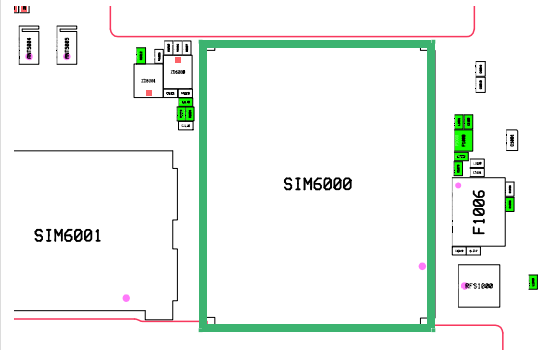
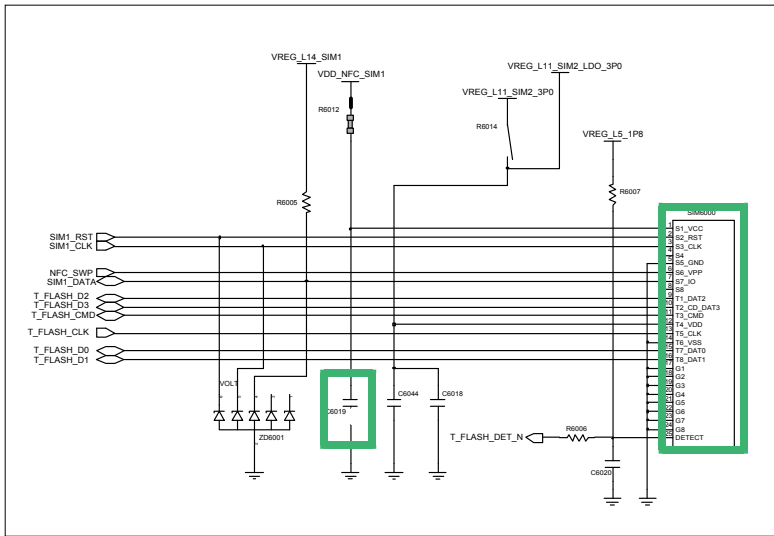
8-4-3. No Service



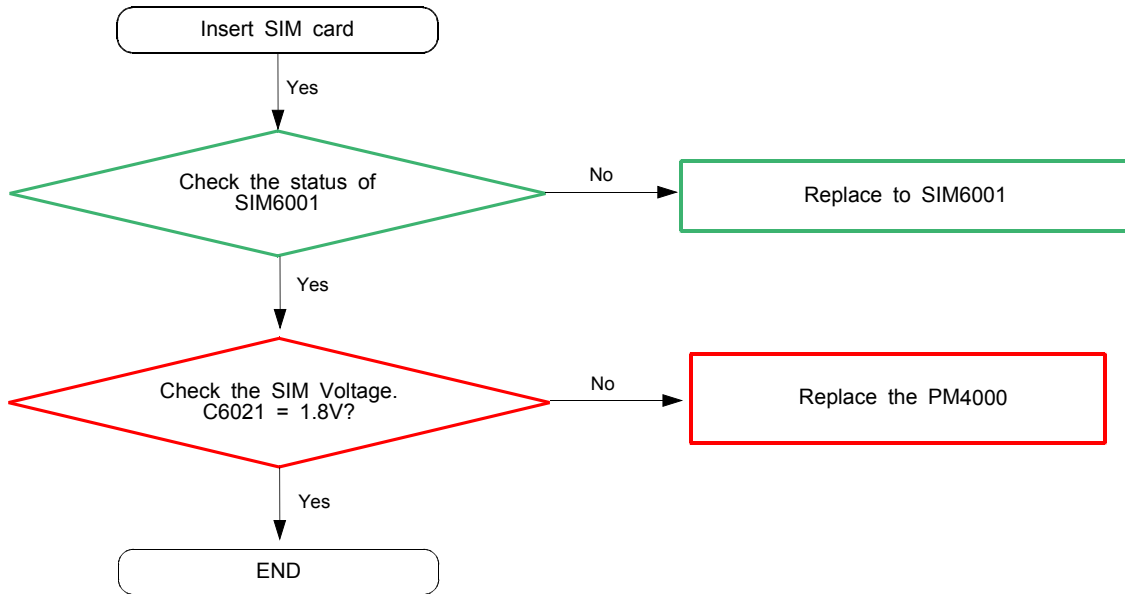
※ Schemetic : Refer to the 8-4-2 (Initial)

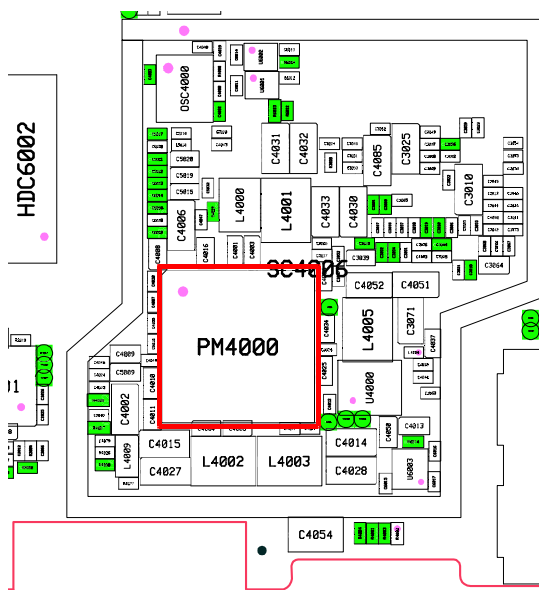
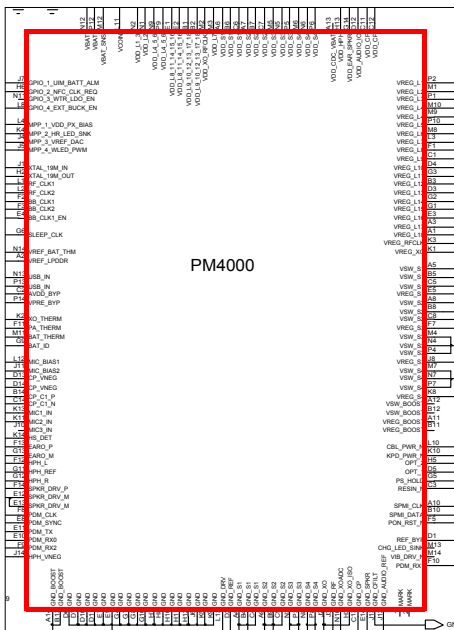
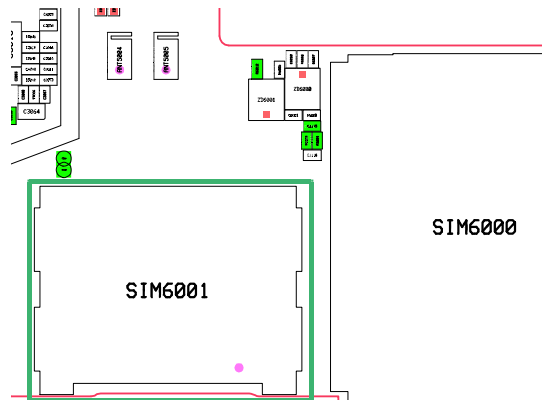
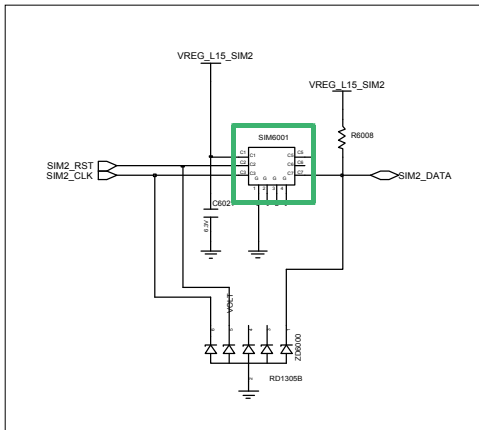
8-4-4. Sim Part - Sim Card 1



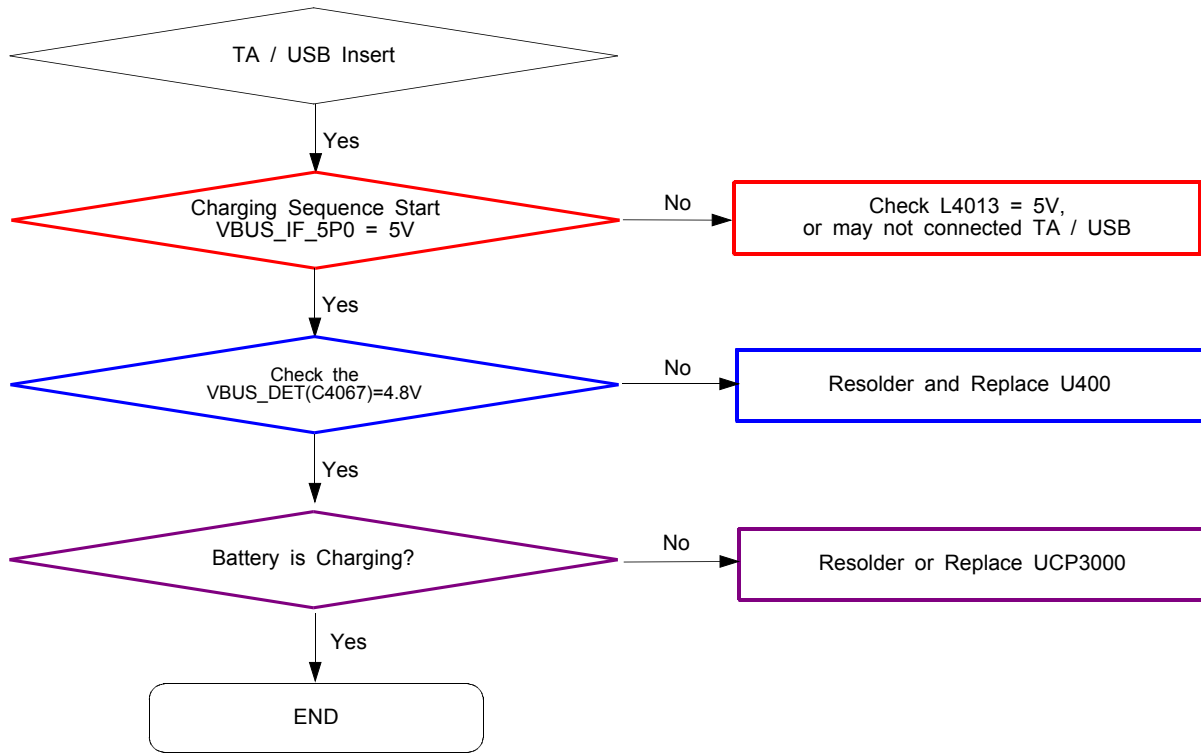


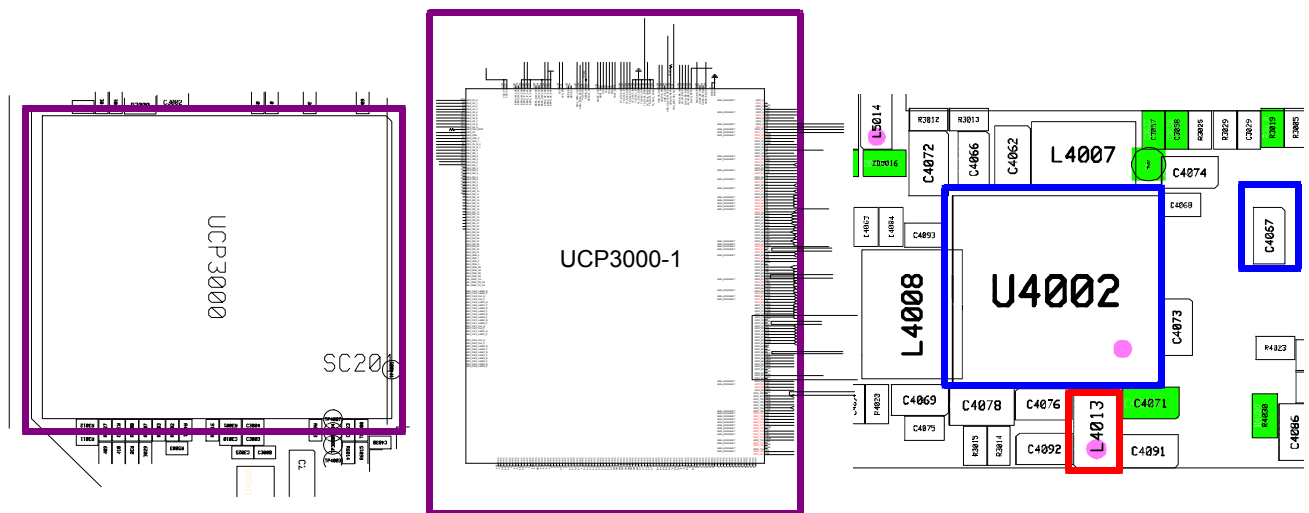
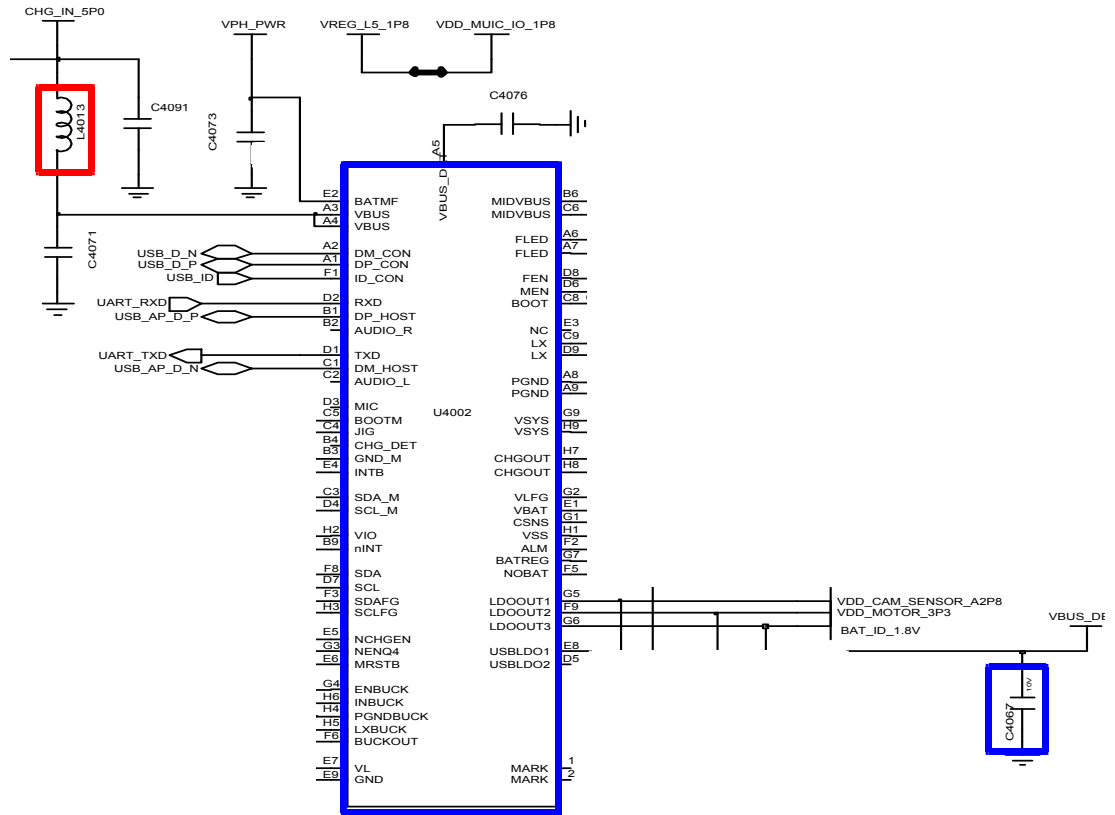
8-4-4. Sim Part - Sim Card 2



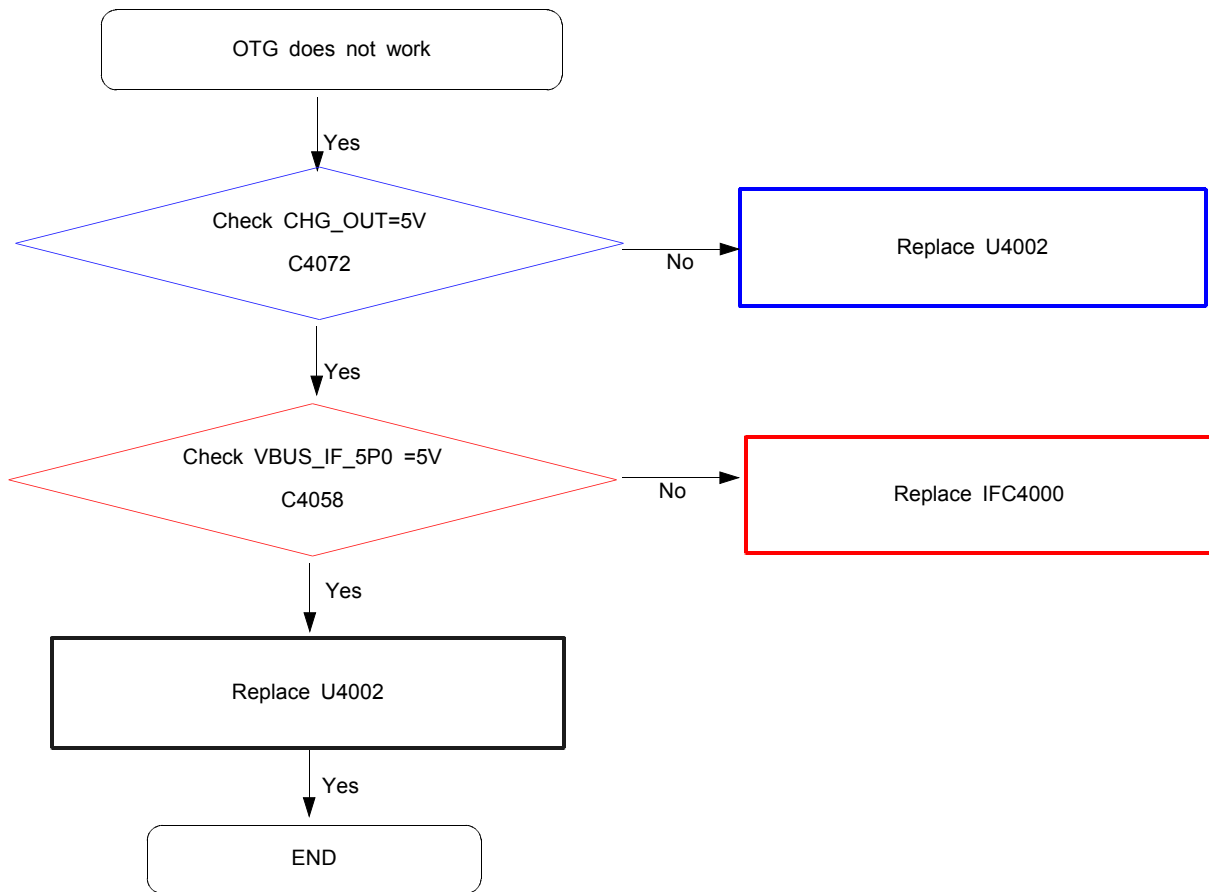


8-4-5. Charging Part

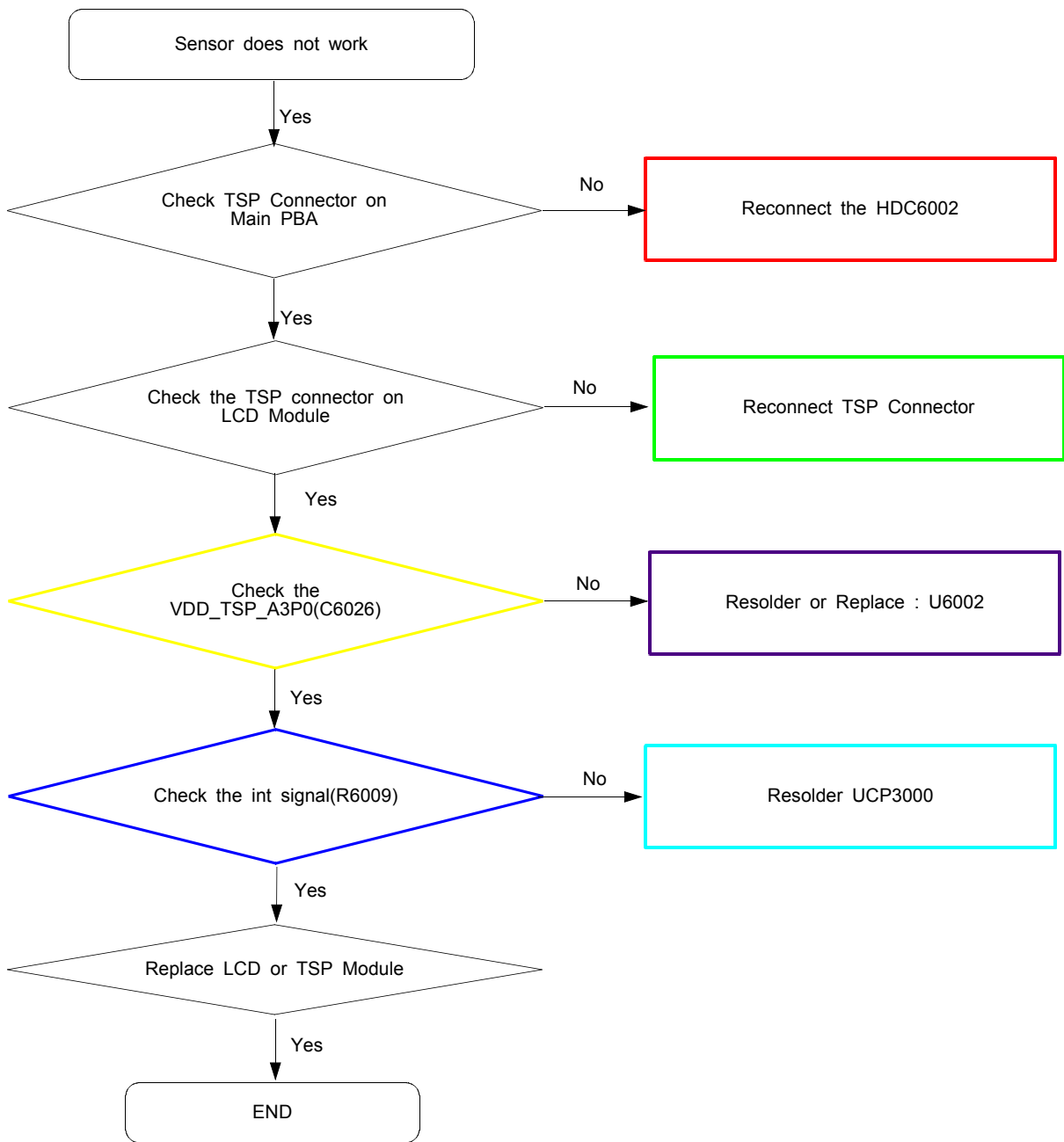




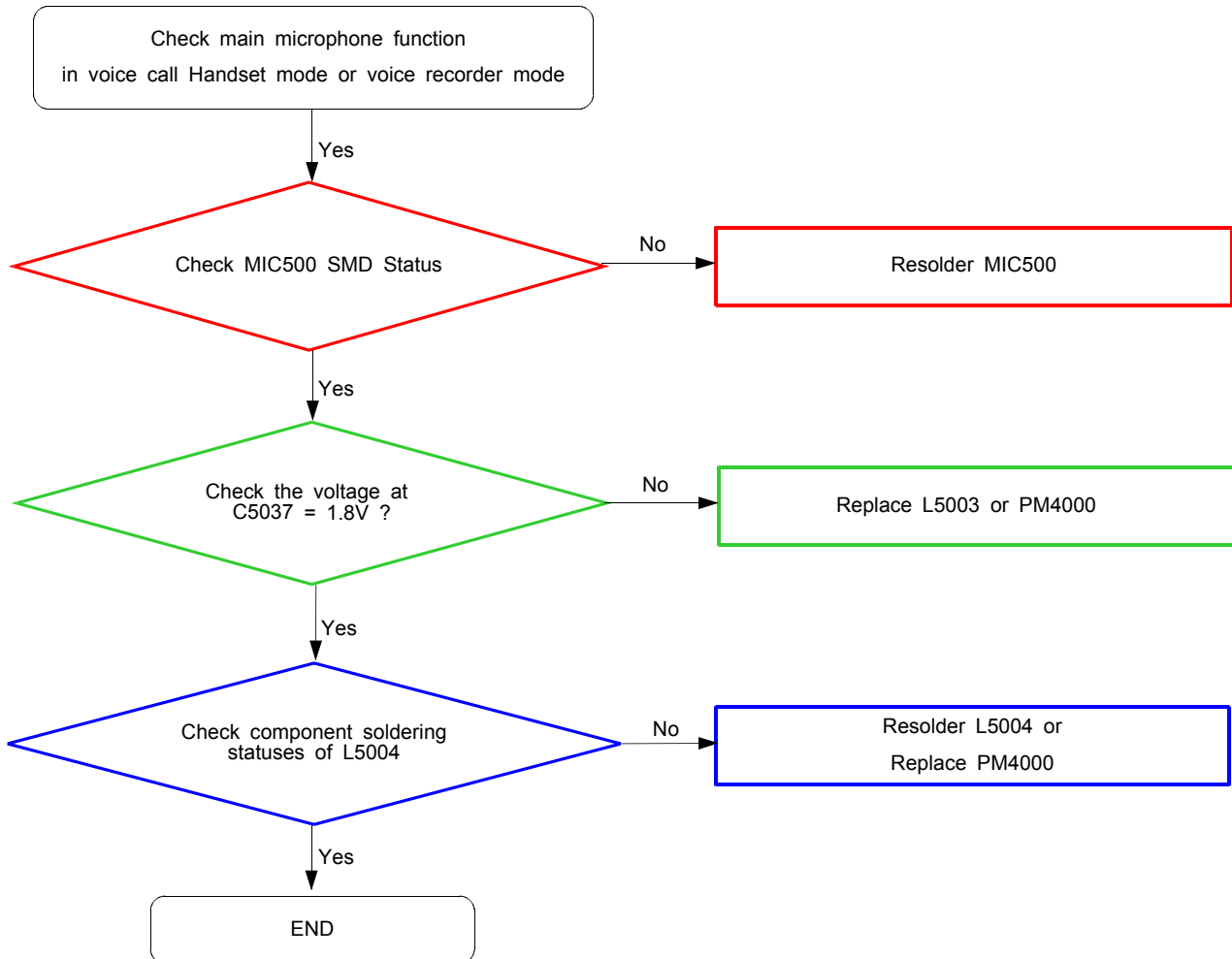
8-4-6. OTG

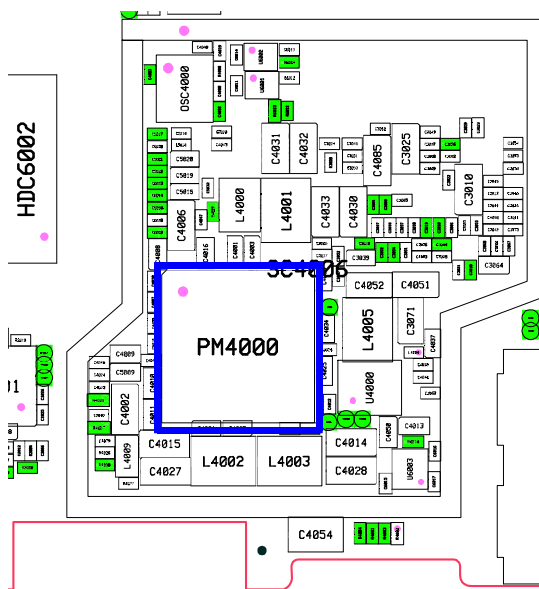
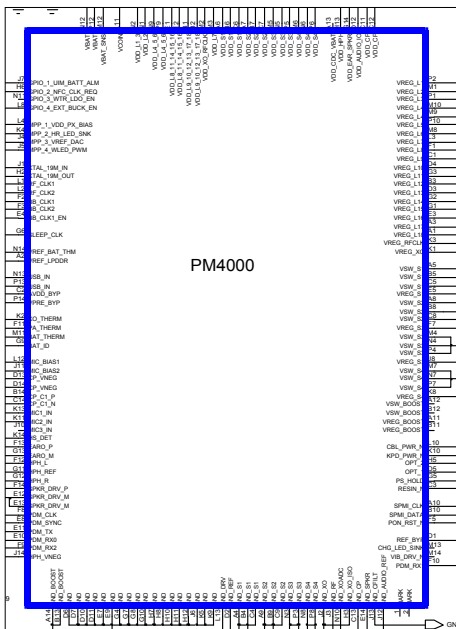
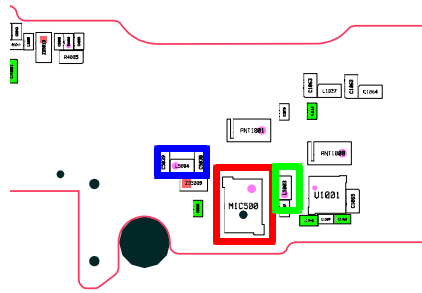
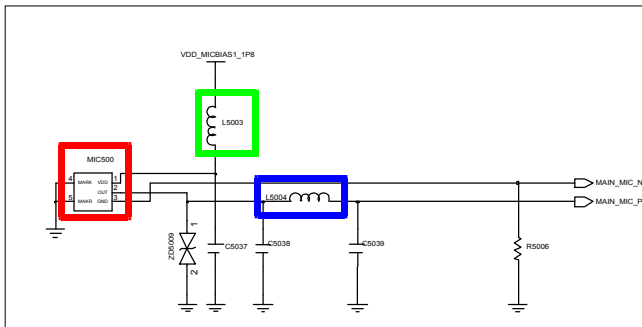


8-4-7. Proxy Sensor

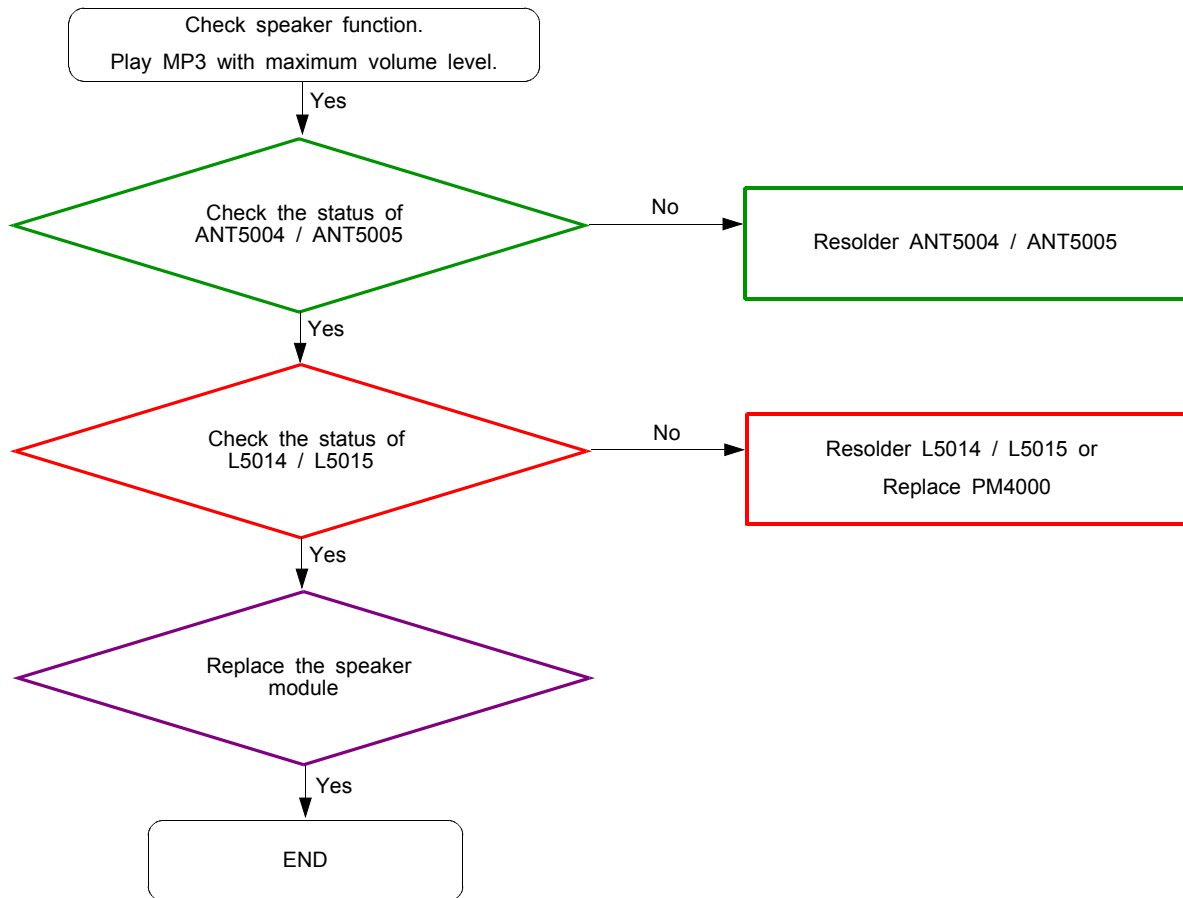


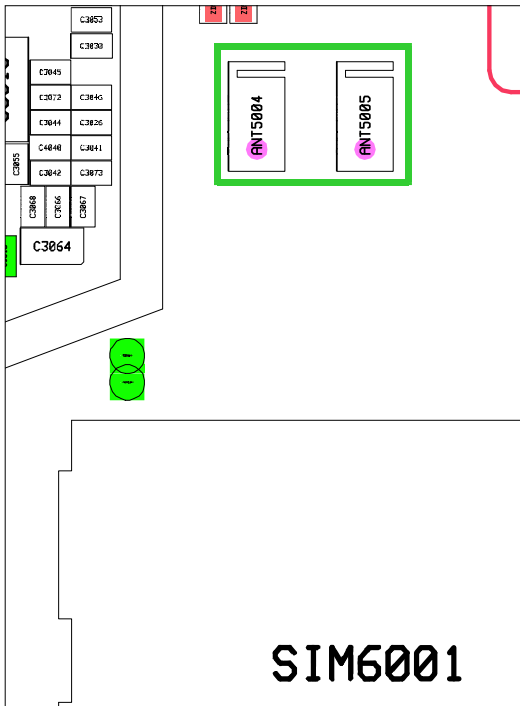
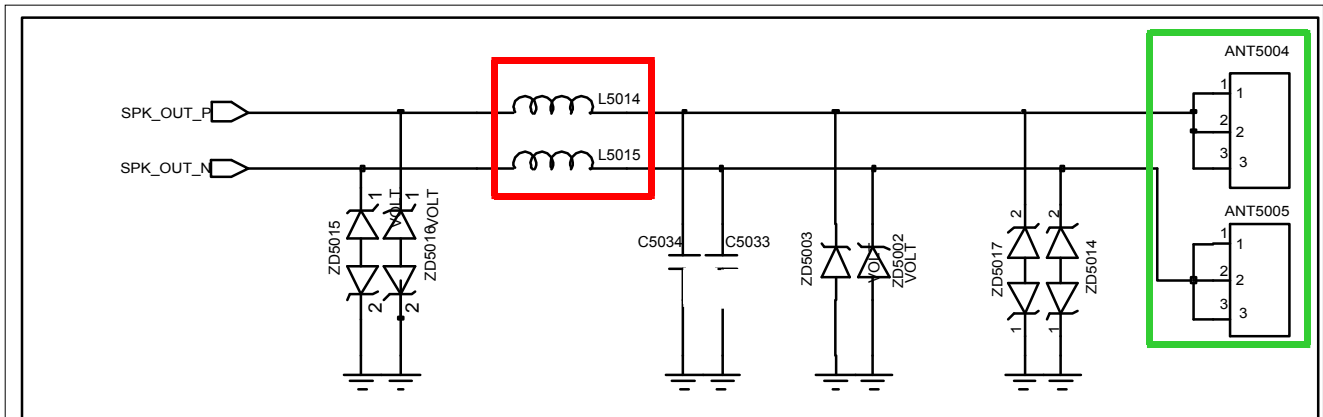
8-4-8 Microphone Part - Main MIC



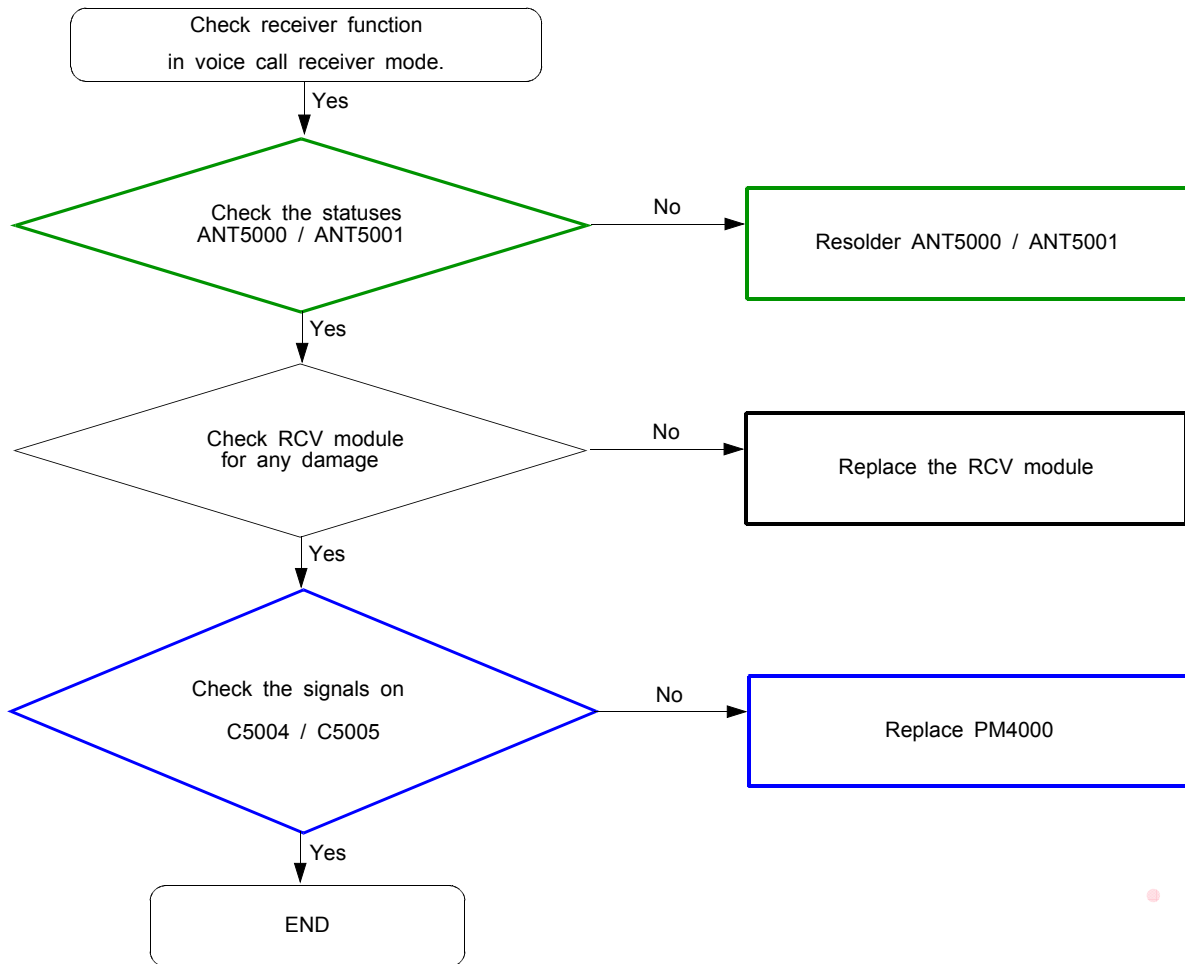


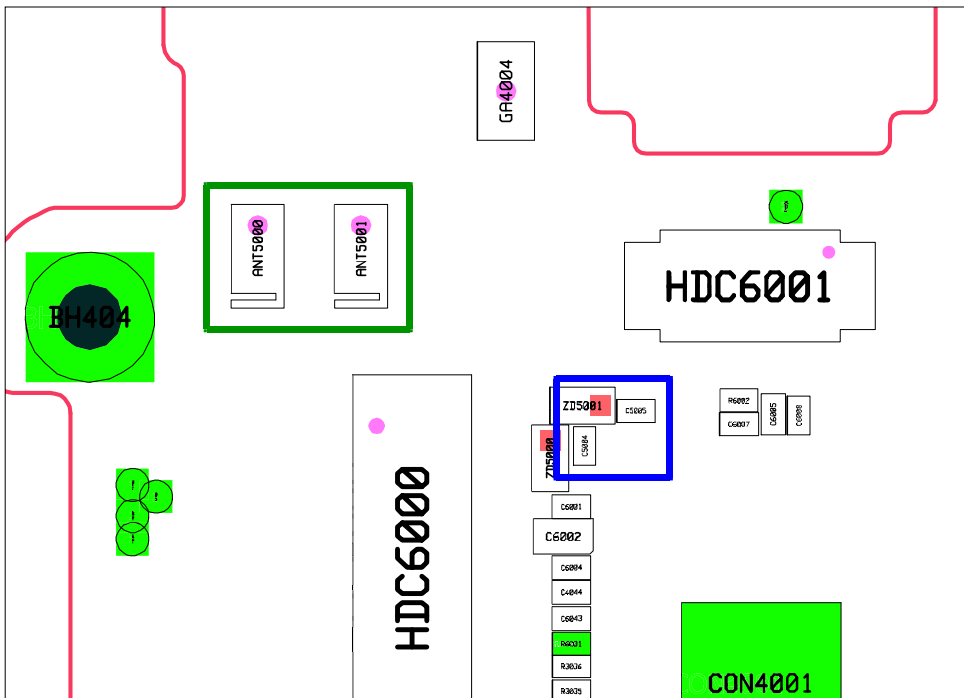
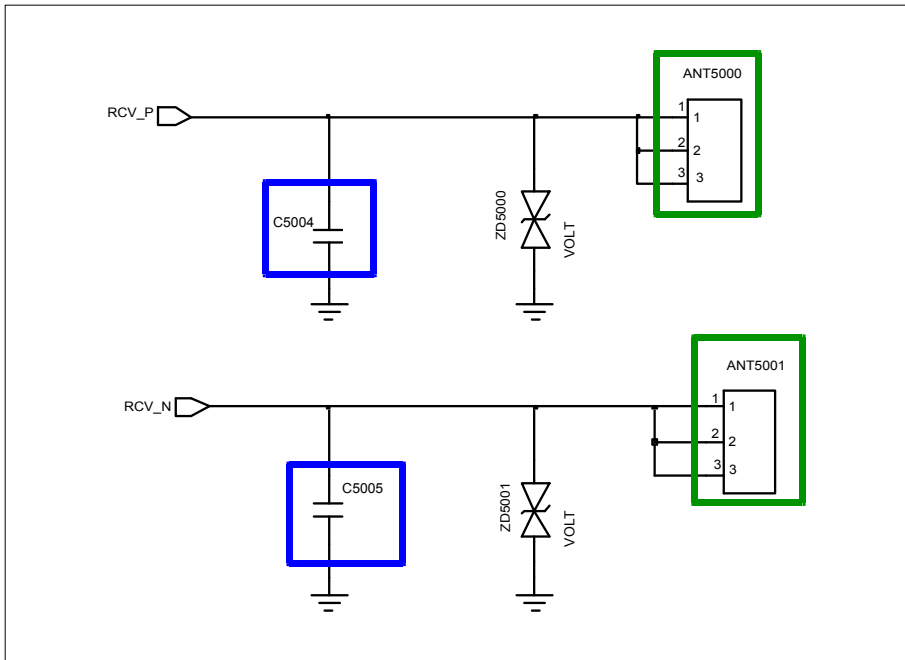
8-4-9. Speaker Part



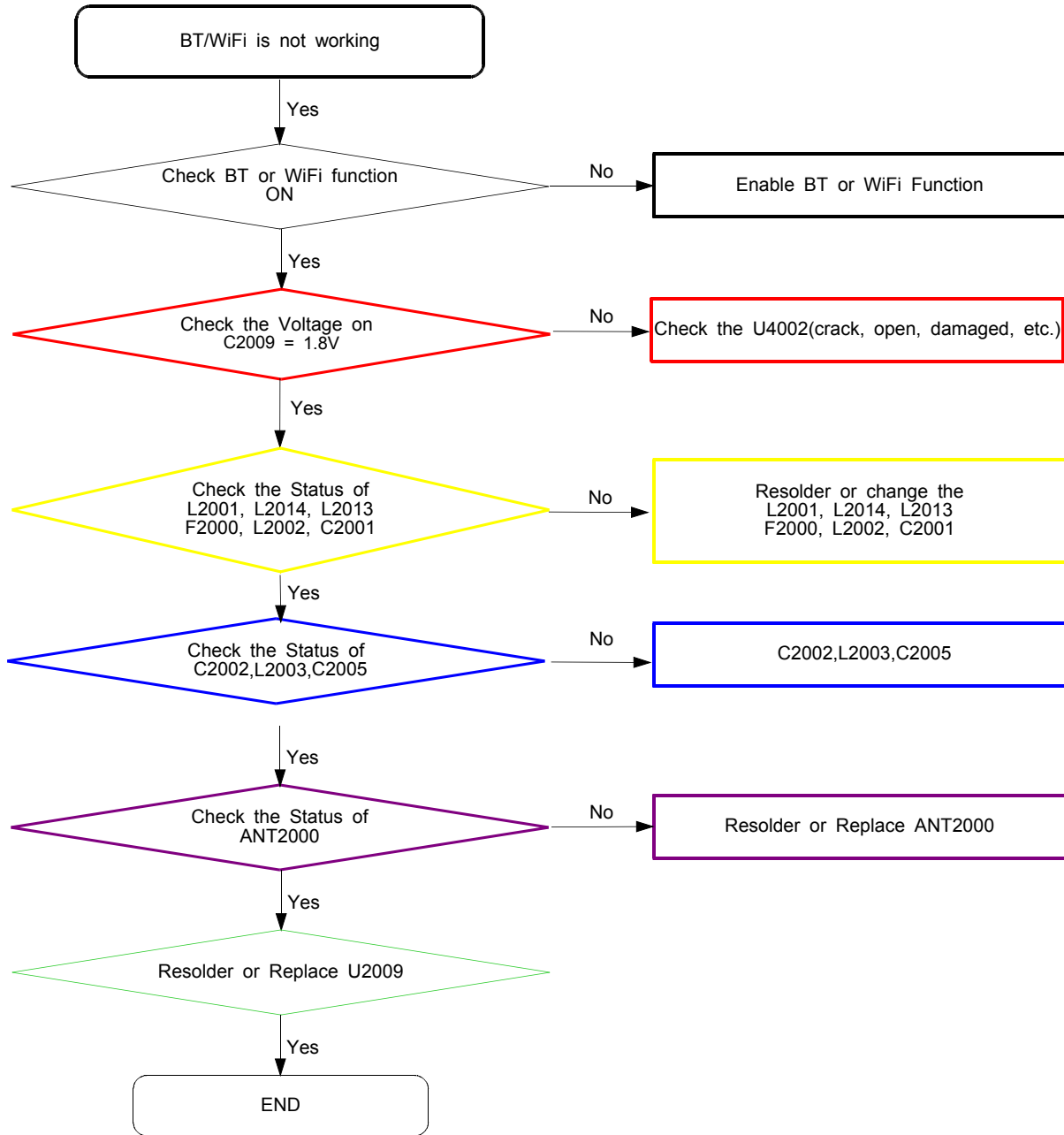


8-4-10. Receiver Part

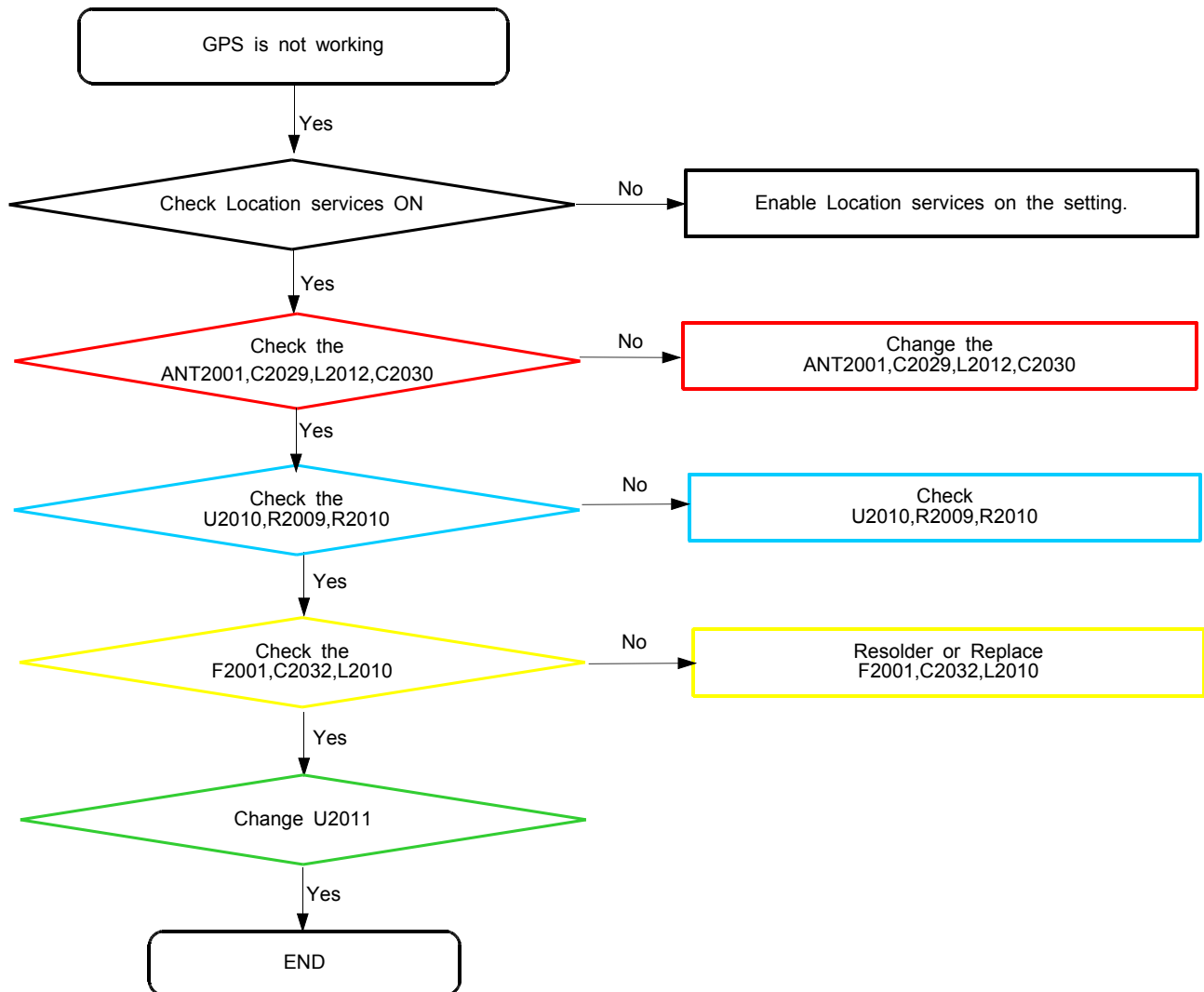


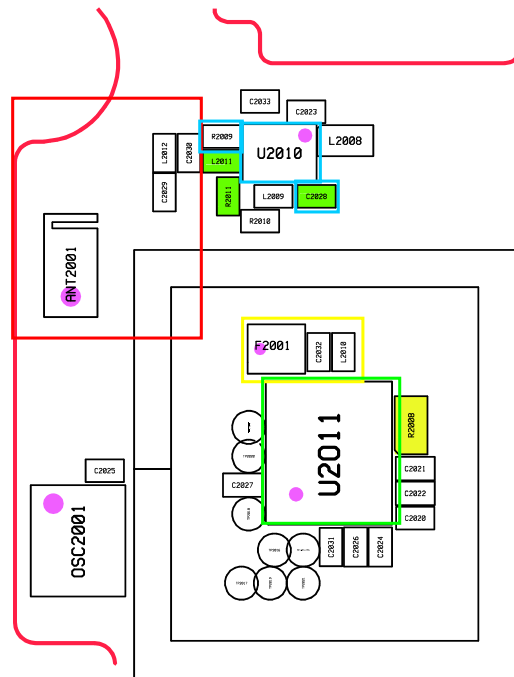
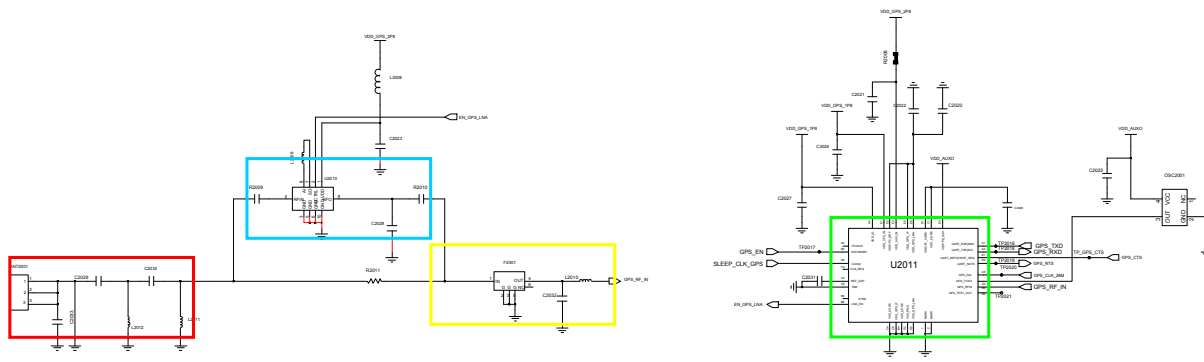


8-4-11. BT/WIFI

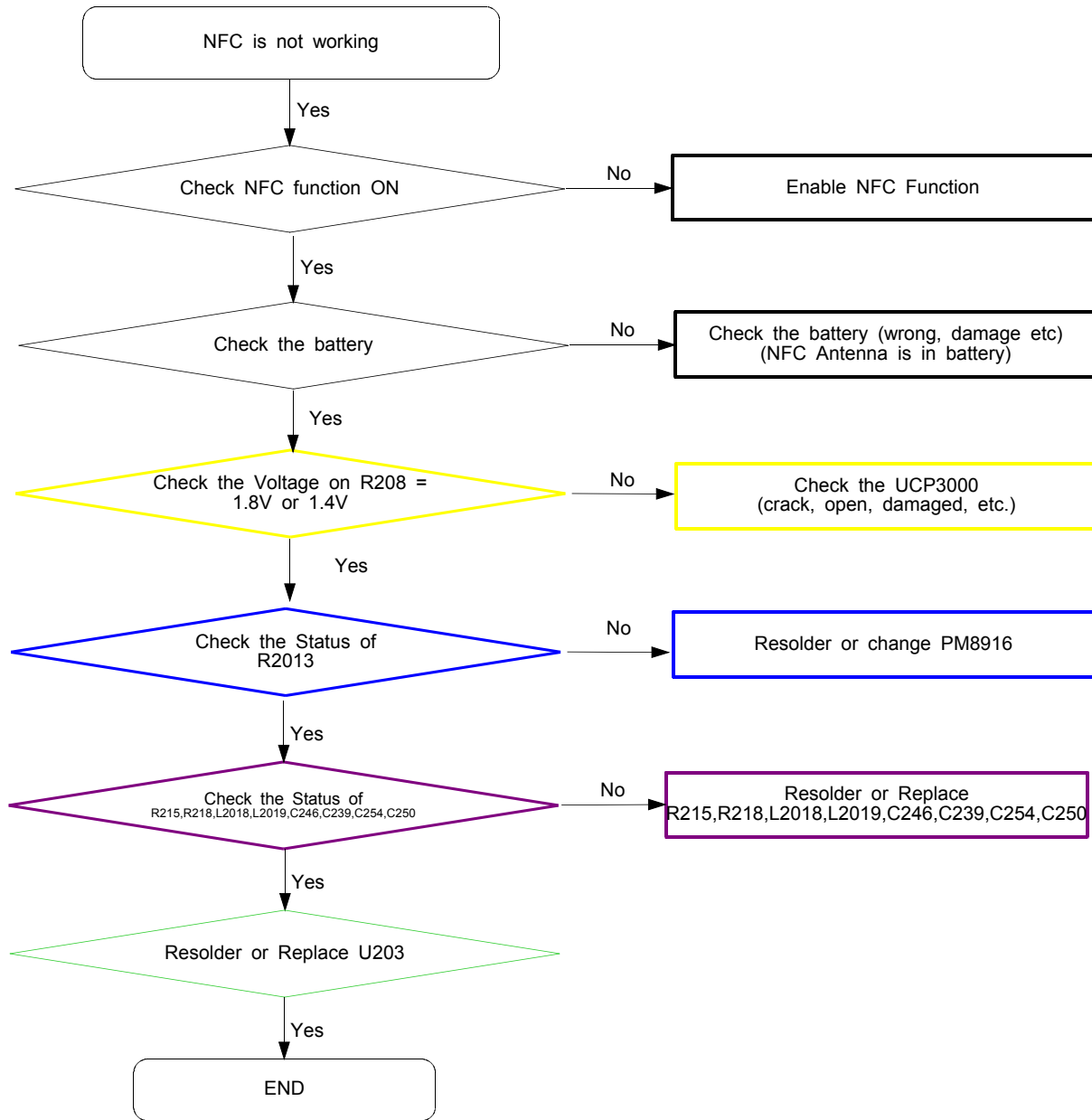


8-4-12. GPS

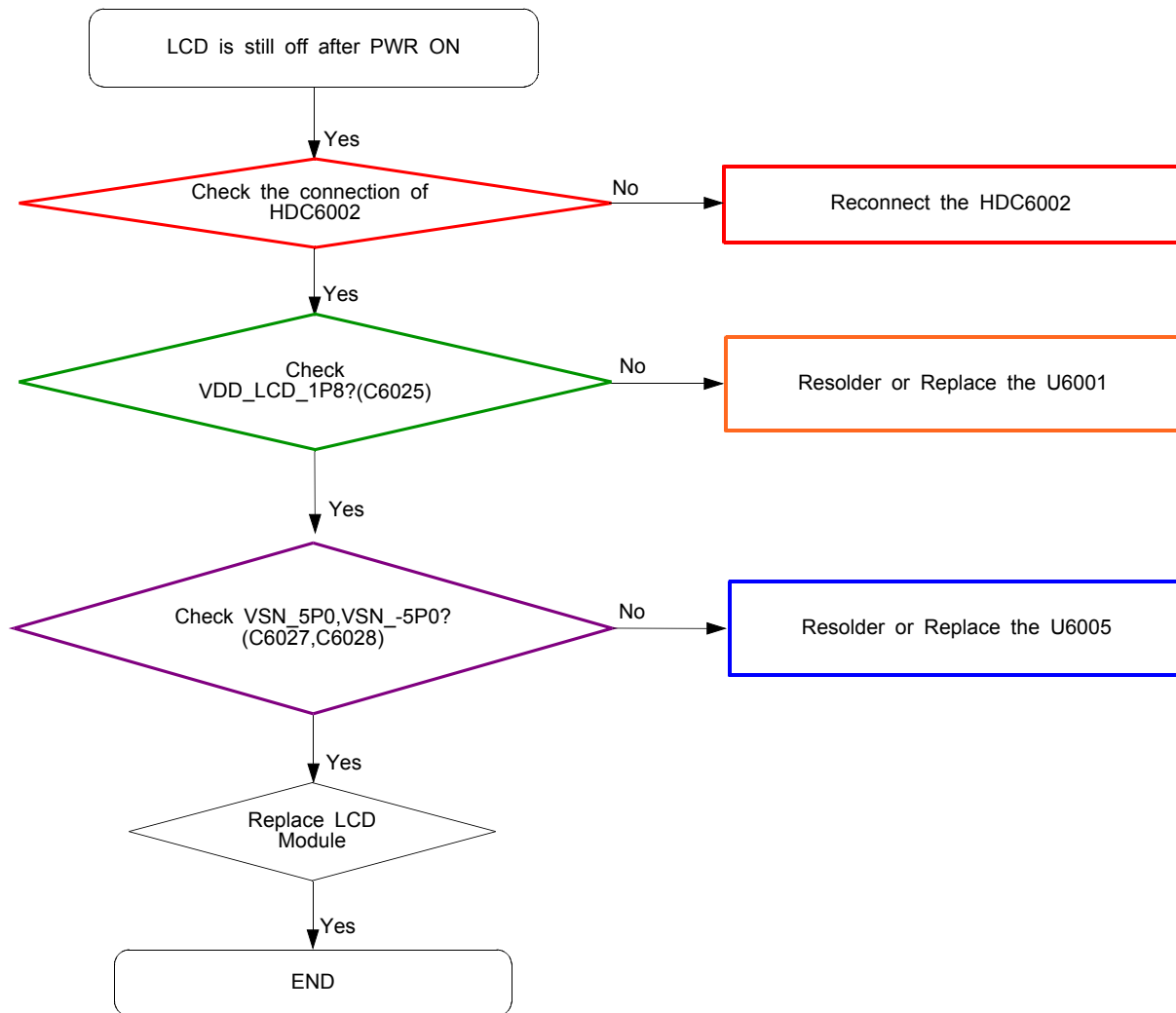


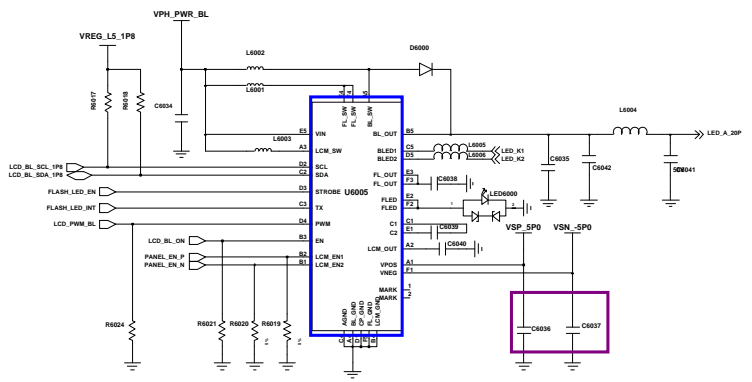
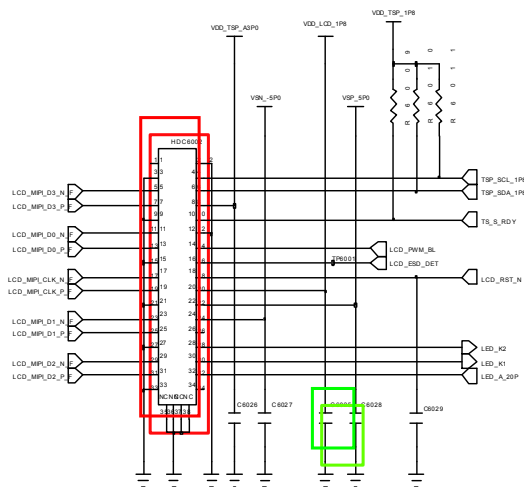


8-4-13. NFC

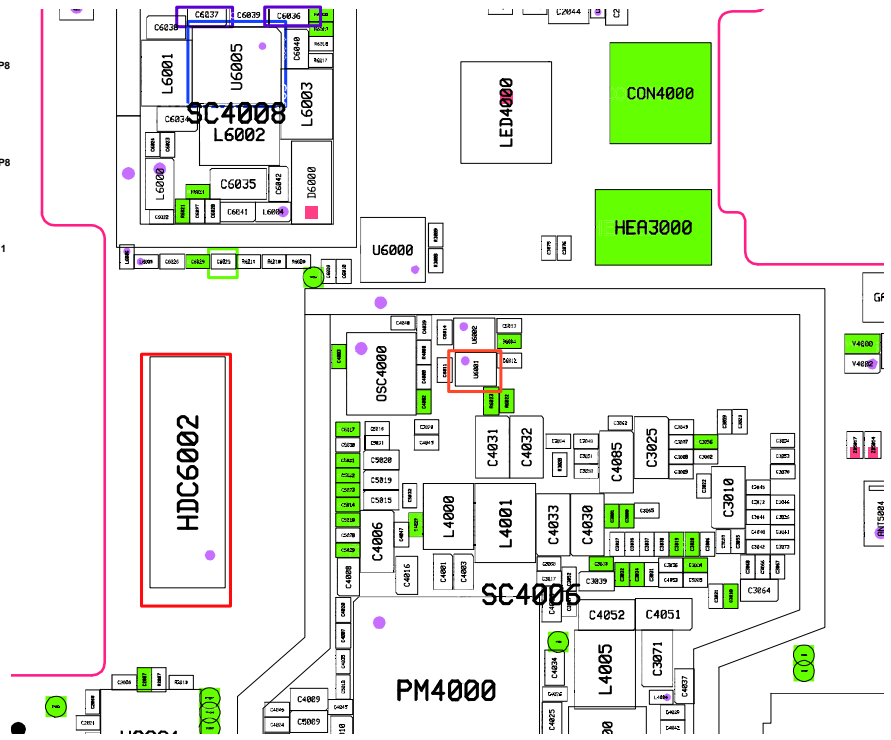
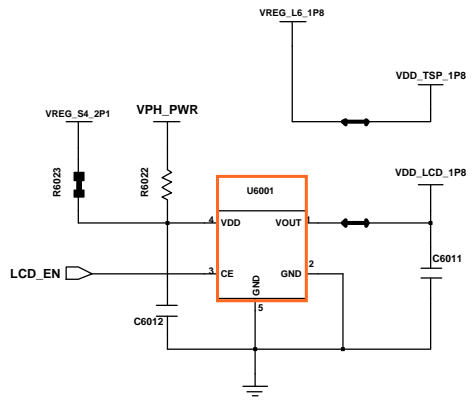


8-4-14. LCD

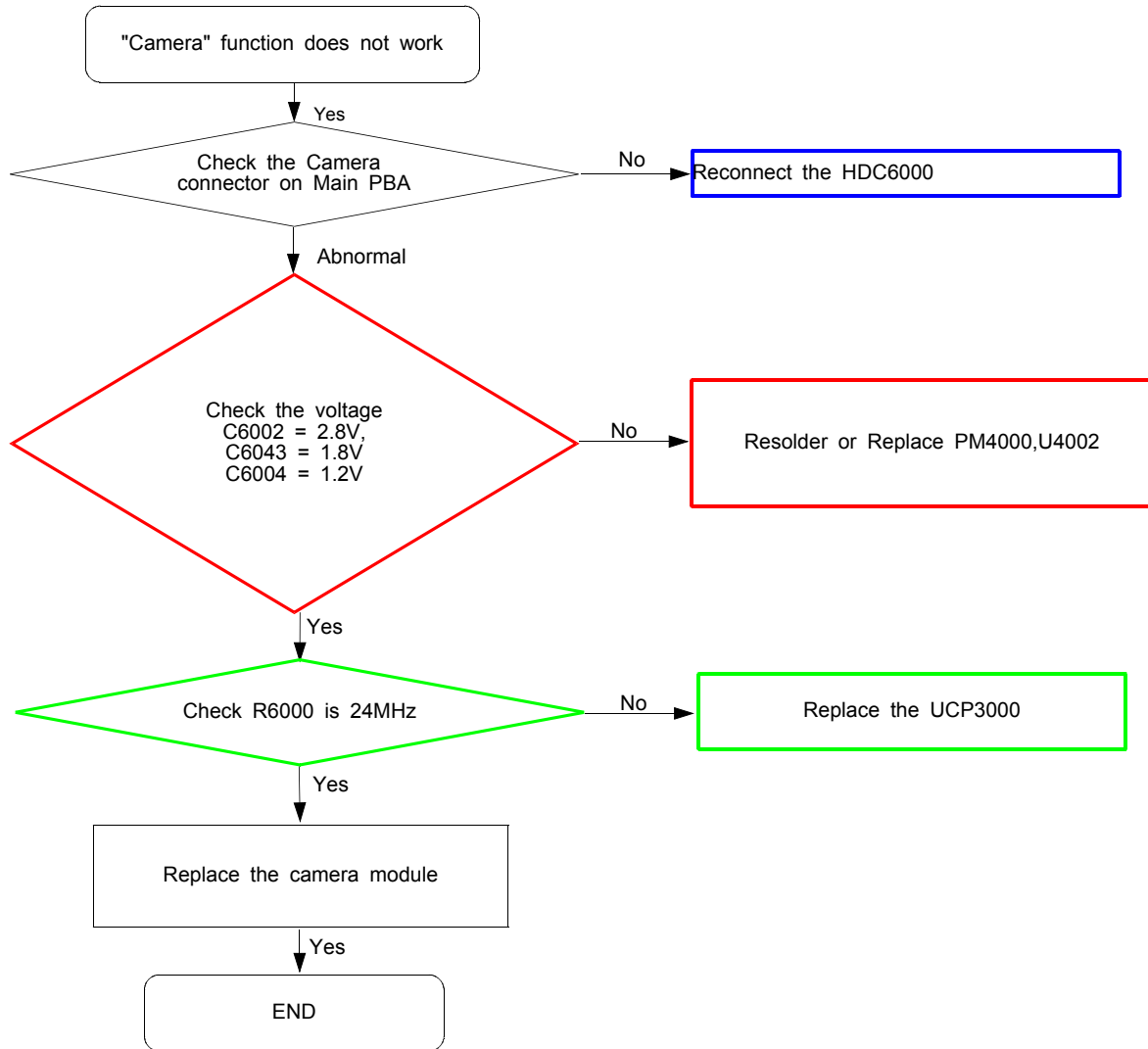


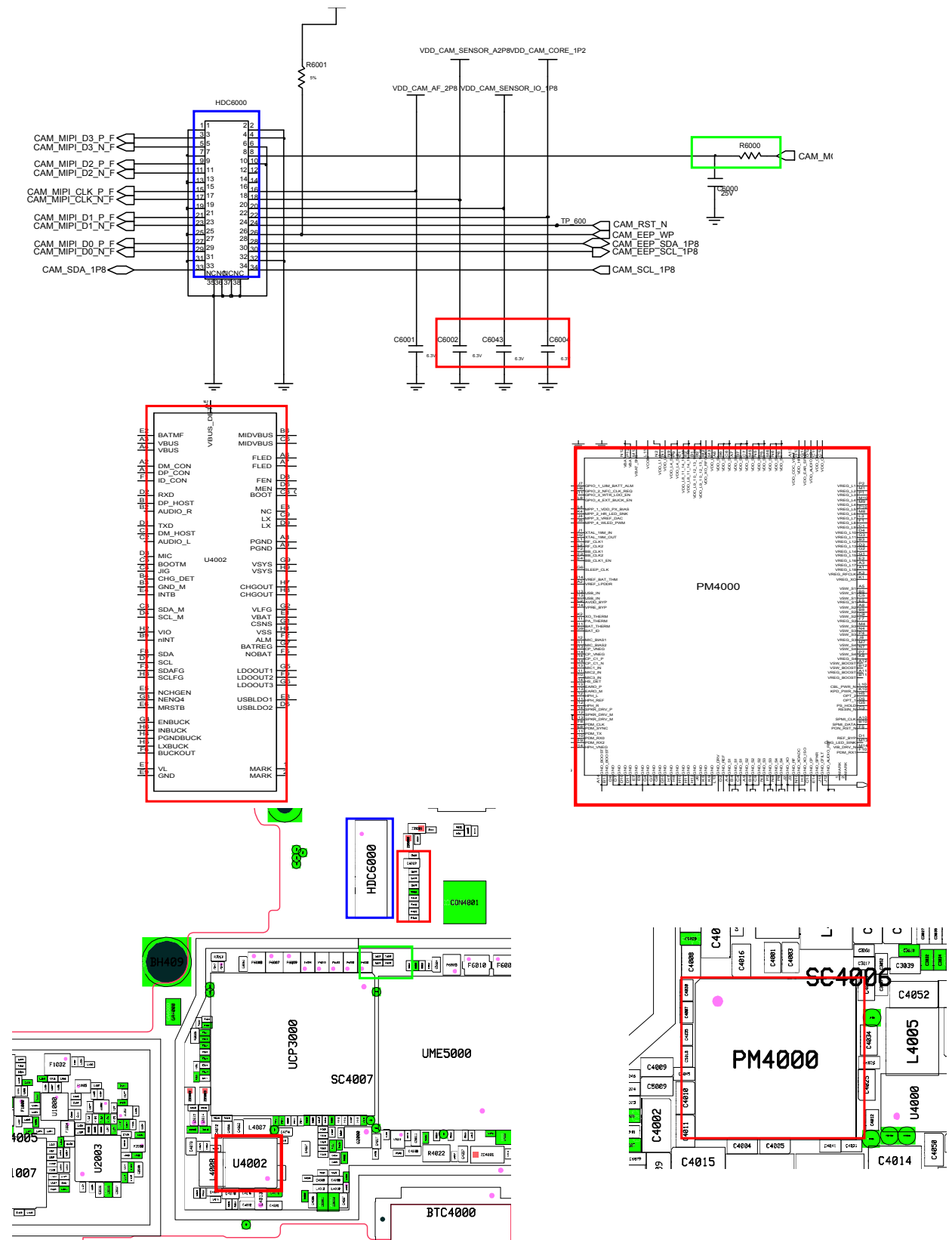


LCD B/L & Fron flash IC

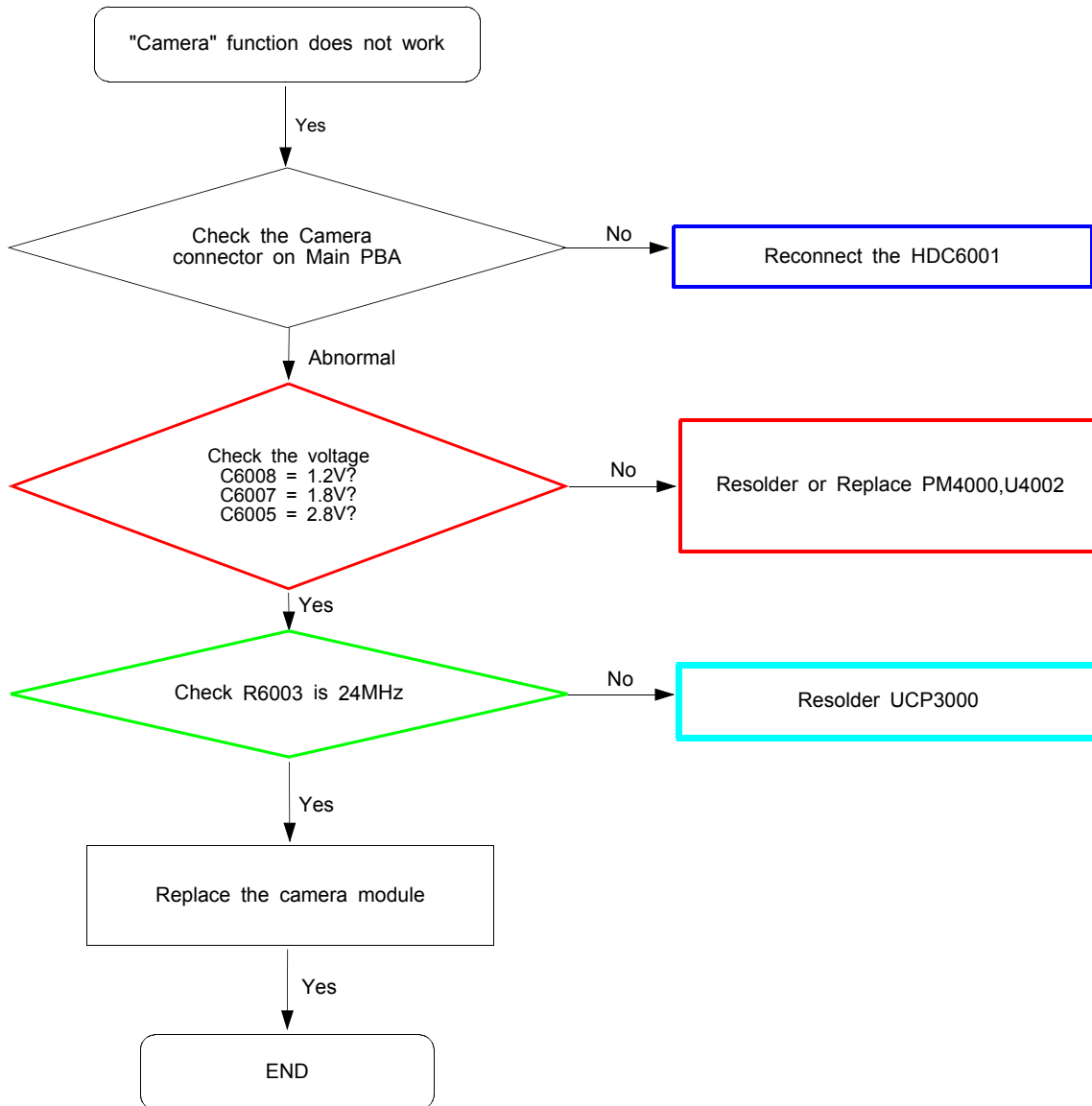


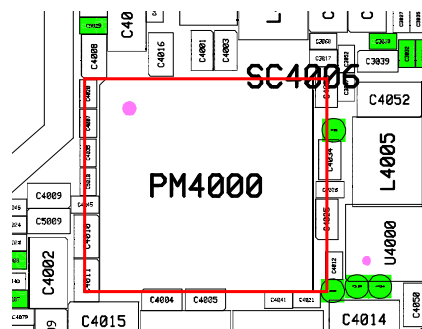
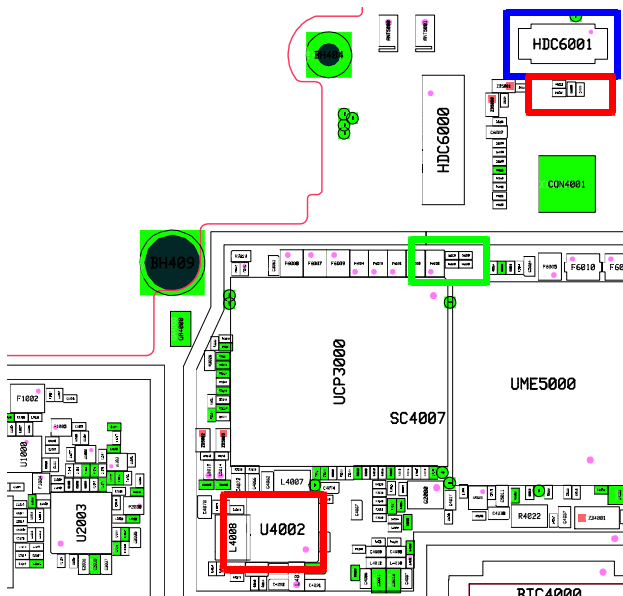
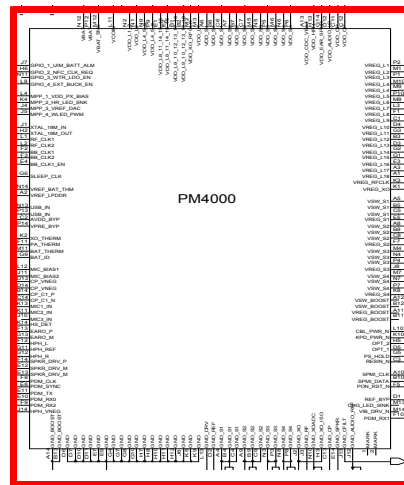
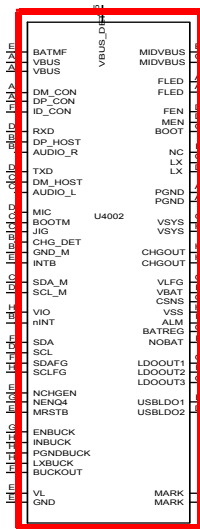
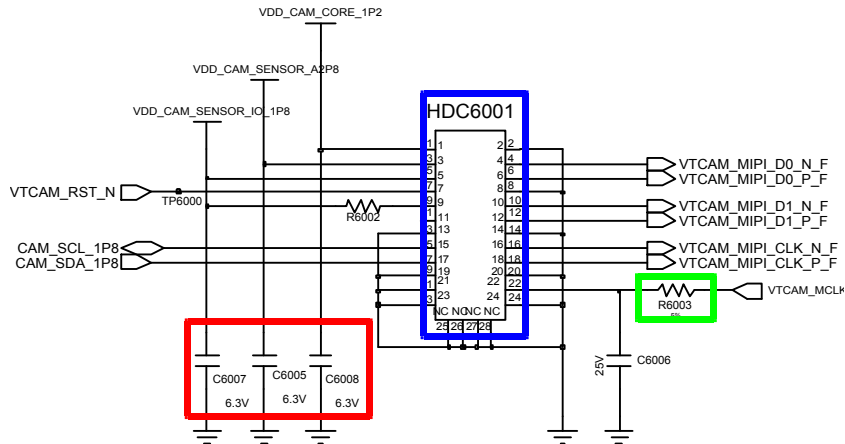
8-4-15. 13M CAM

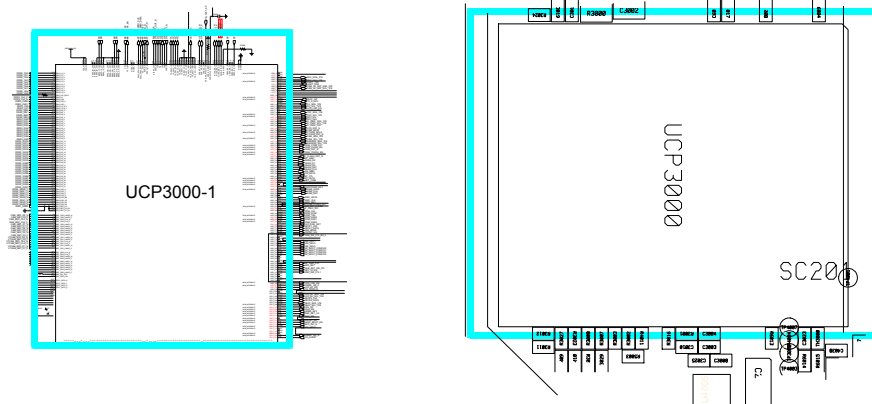




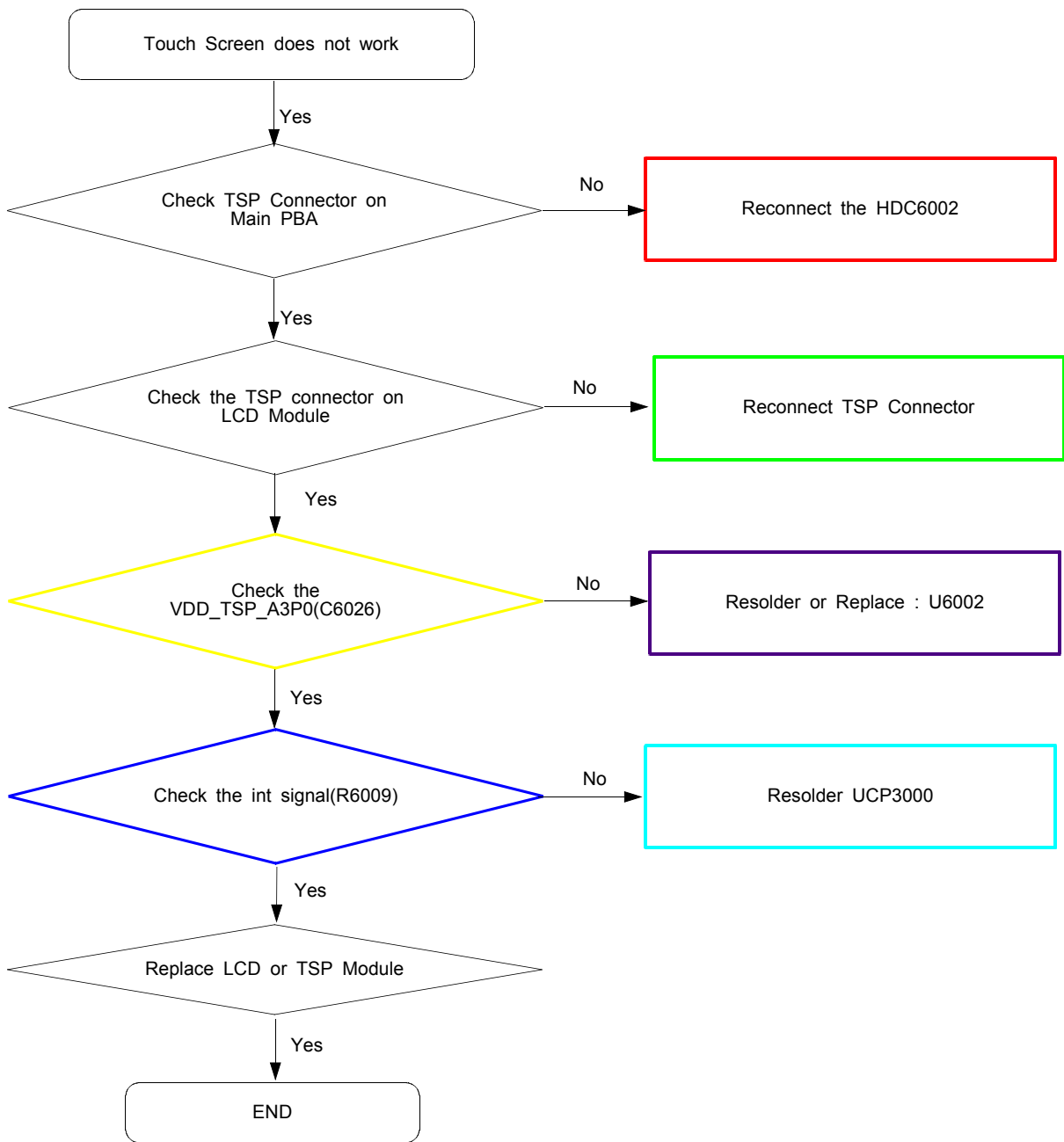
8-4-16. VT CAM

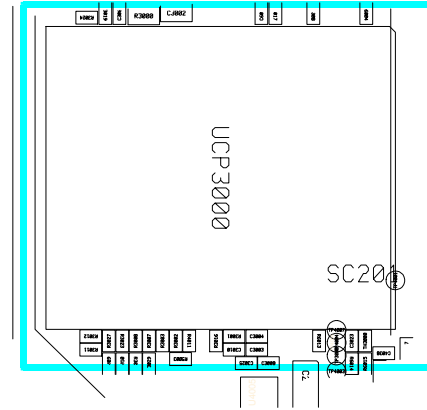
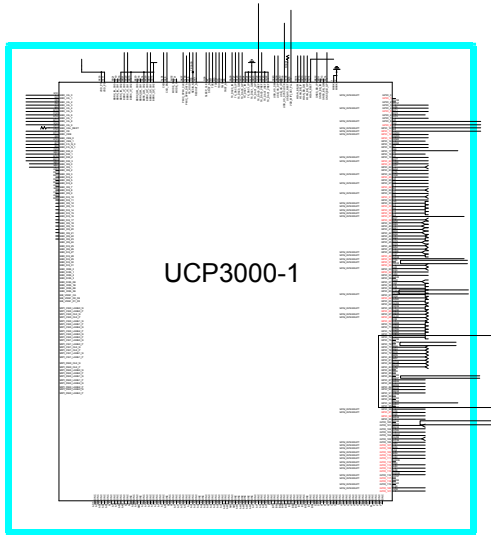




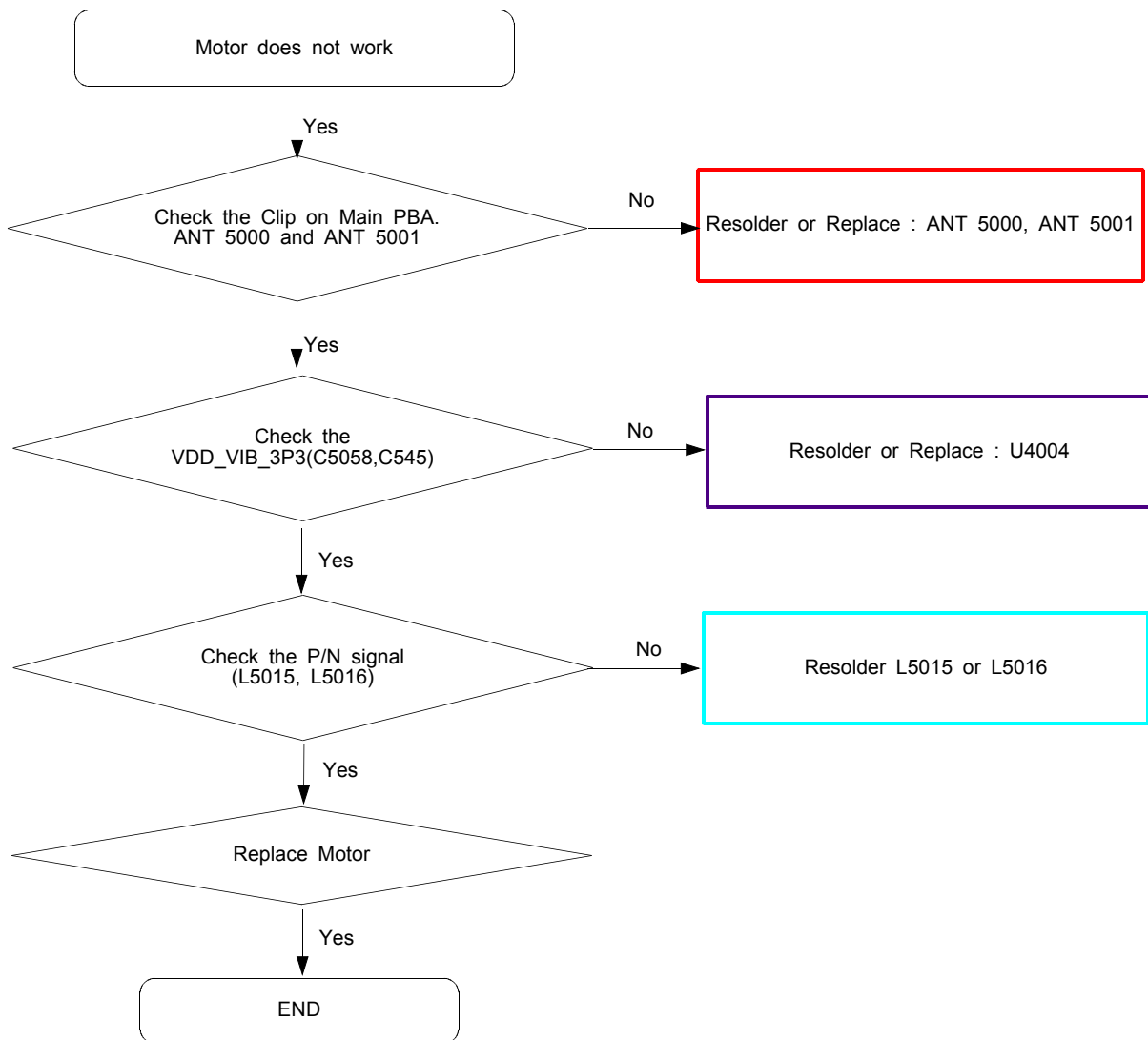


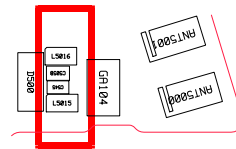
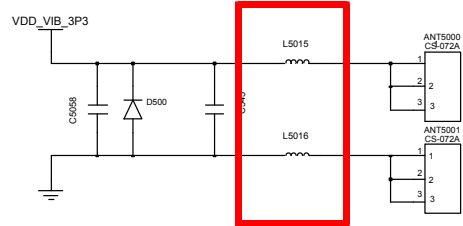
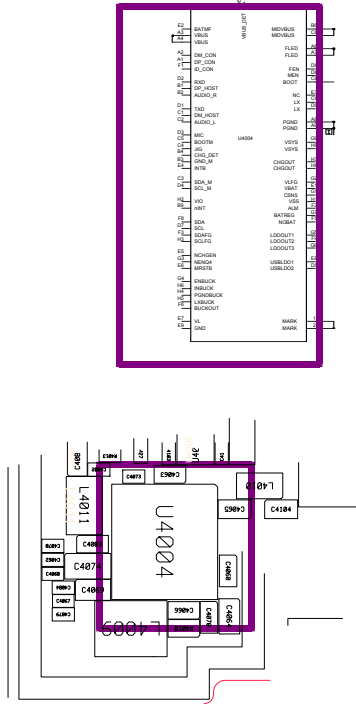
8-4-17. TSP



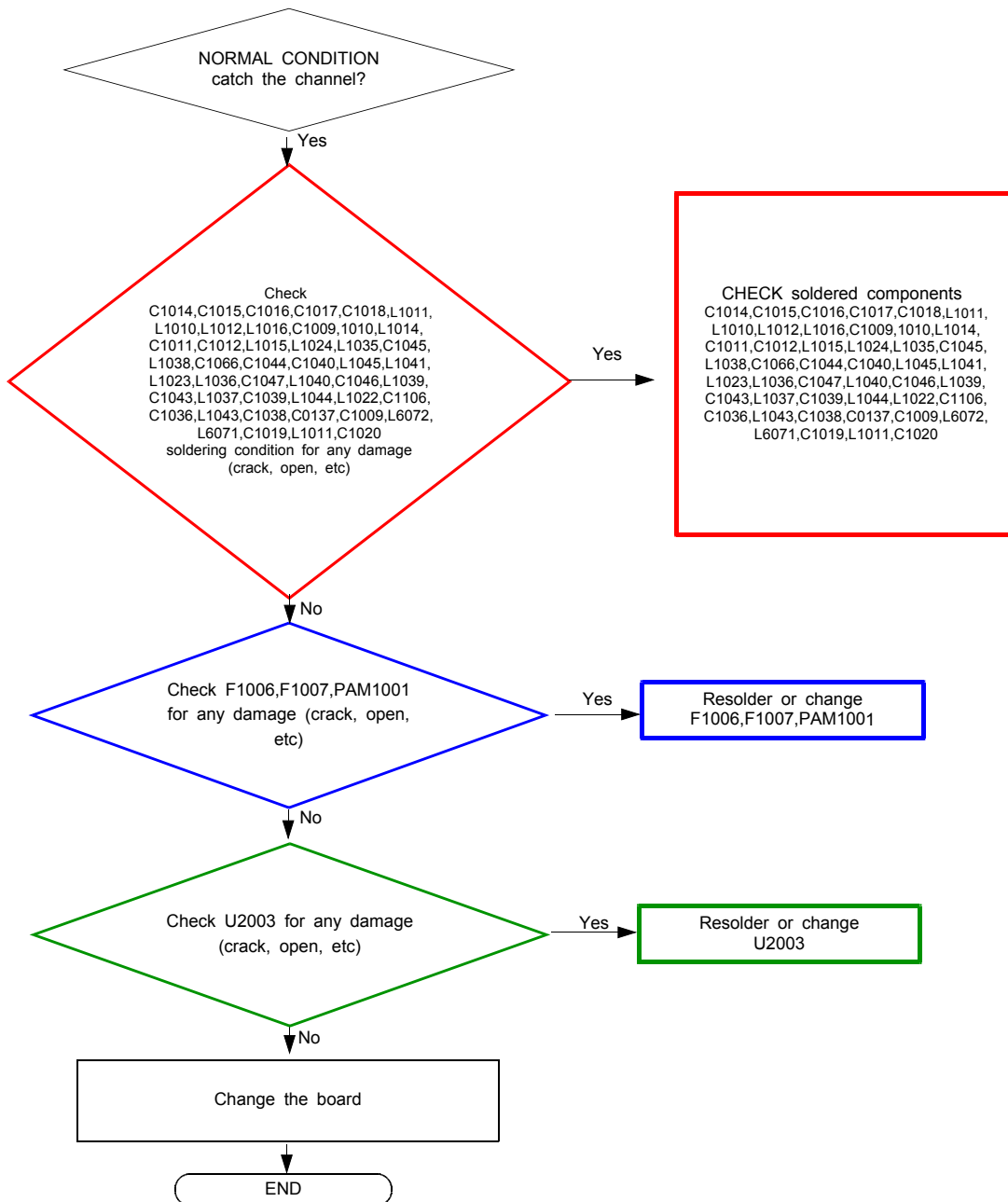


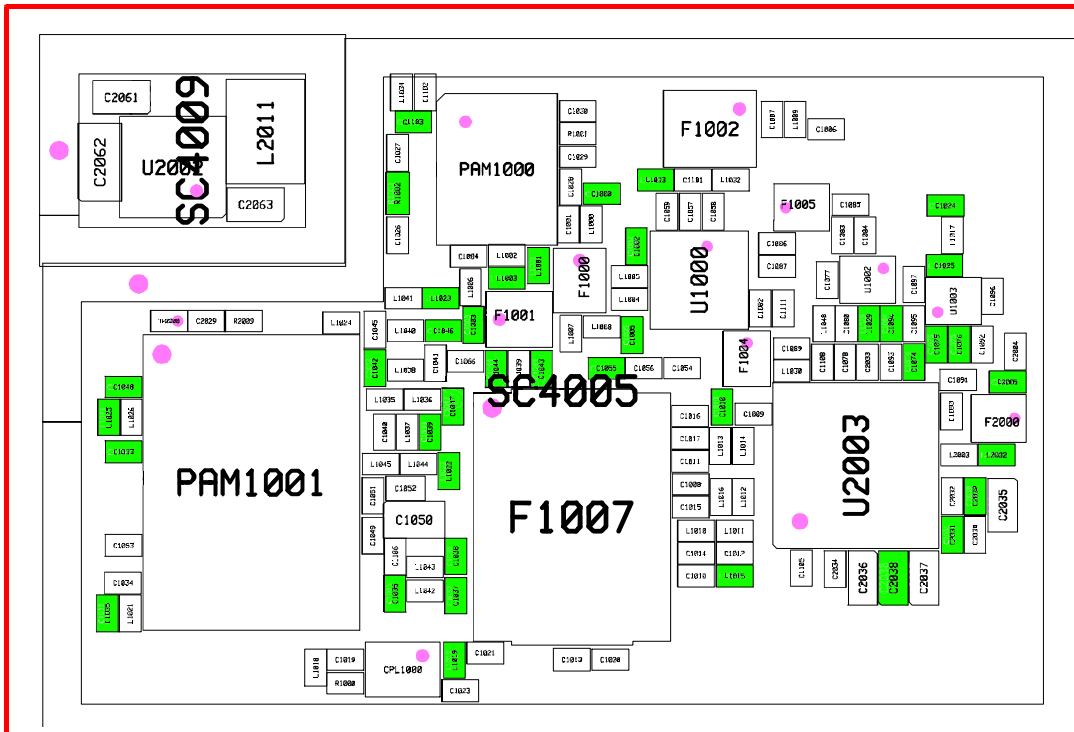
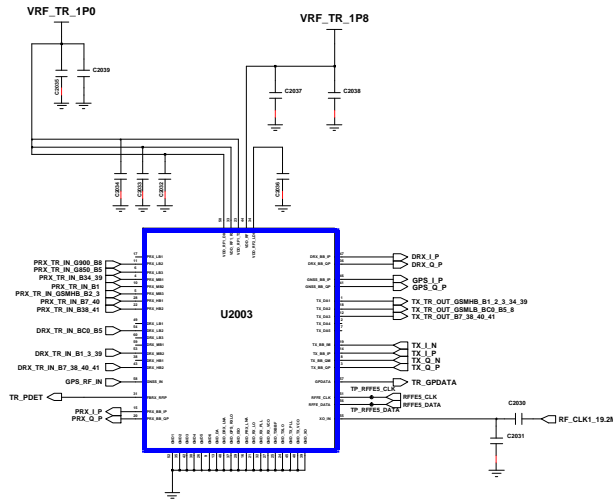
8-4-18. Motor



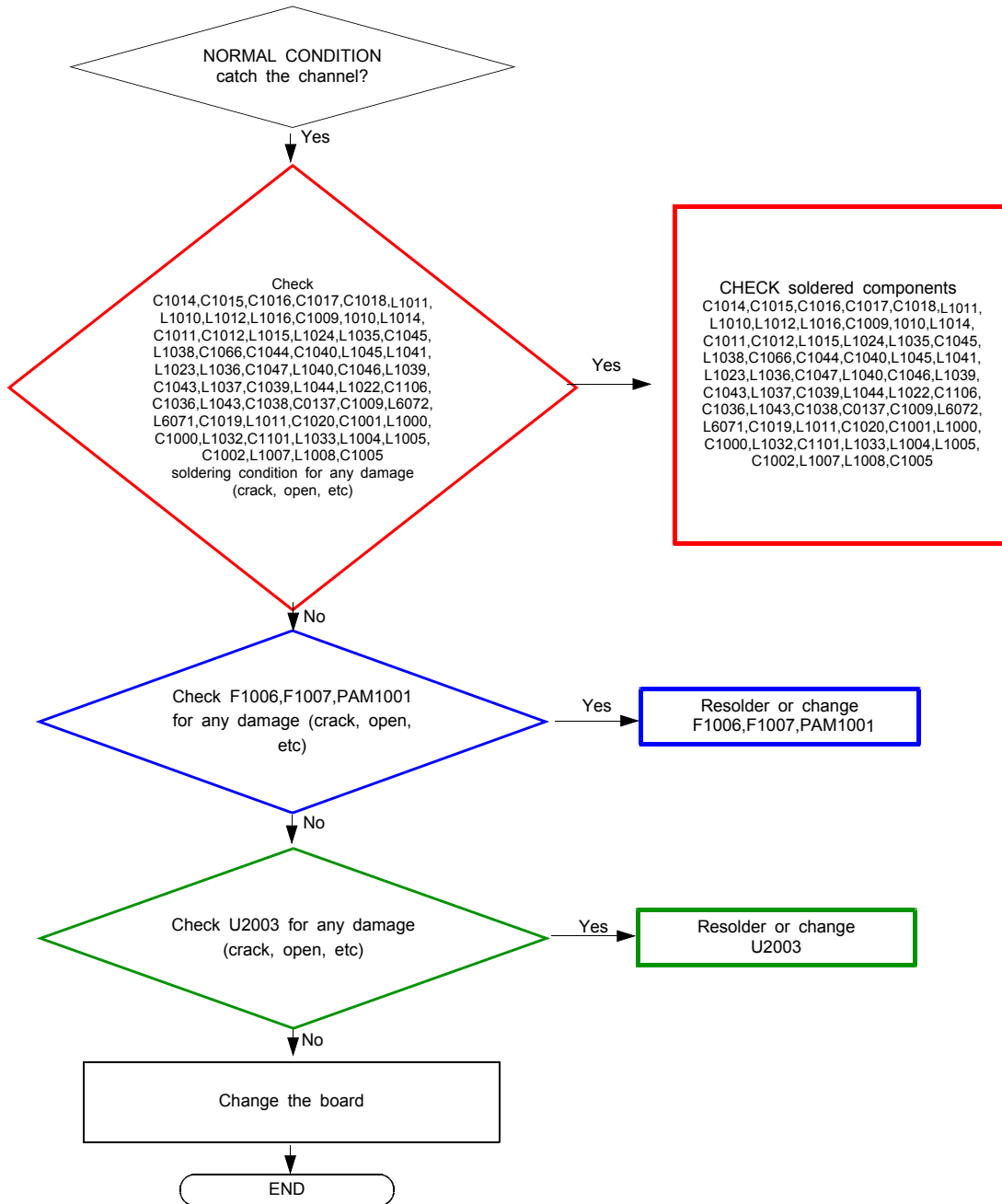


8-4-19. GSM 850,900,1800,1900 / LTE FDD BAND 1,3,7 / LTE TDD BAND 38,39,40,41 / TD-SCDMA B34/B39 RX





8-4-20. GSM 850,900,1800,1900 / LTE FDD BAND 1,3,7 / LTE TDD BAND 38,39,40,41 / TD-SCDMA B34/B39 TX



8-5. Service Schematics
- NC point(Top view)
UCP3000(AP)

